



P.L. : 1002-C01

Effective
Replaces

February 2018
April 2017

PARTS LIST

PUMP

S6C

Keep this parts lists with Installation, Operation and Maintenance Instructions.

To order the required spare parts, indicate the desired Reference(s).

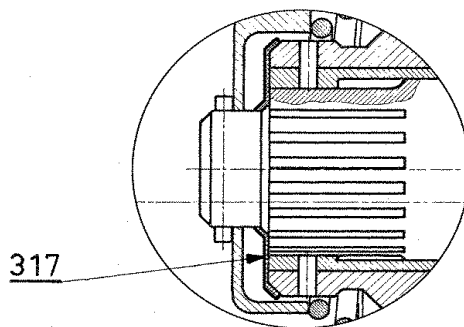
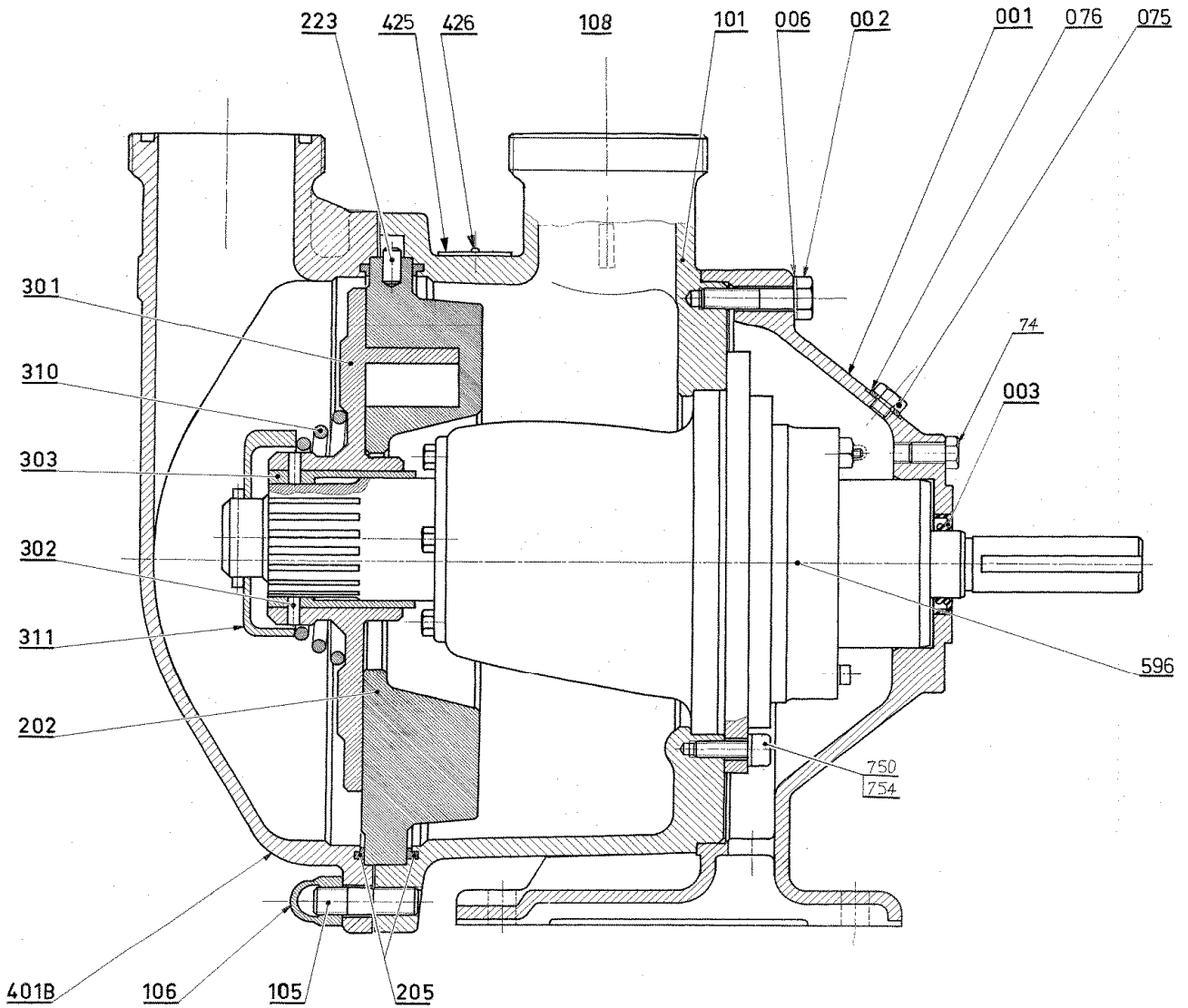
- ◆ Sets of parts or parts available to order.

Z.I. la Plaine des Isles - 2 rue des Caillottes F-89000 AUXERRE - France

Tel : +33 (0)3 86 49 86 30 • Fax : +33 (0)3 86 49 87 17

contact@mouvex.com • www.mouvex.com

S6C



S6C

* 1, 2,4... : Quantity in equipment - (1), (2), (4)... : Quantity in kit

Item	Available	Description	Qty*	Ref.	Maintenance kit	Wear part
5	◆	SUPPORT FOOT PUMP COMPLETE	1	301568.00		
1		SUPPORT FOOT	(1)			
2		SCREW	(4)			
3		LIP SEAL	(1)			●
6		WASHER	(4)			
74		SCREW	(4)			
75		SCREW	(1)			
76		SEAL	(1)			●
100	◆	POLISH MAIN BODY - SMS 63	1	309104.00		
100	◆	POLISH MAIN BODY - DIN 65	1	304514.00		
100	◆	POLISH MAIN BODY - CLAMP ASME BPE	1	316042.00		
101		MAIN BODY	(1)			
105		STUD	(8)			
106		BLIND NUT	(8)			
		GASKETS FOR CONNECTION :				
120	◆	SET OF 2 GASKETS CONNECTION FKM CLAMP ASME BPE	1	315665.01	■	
120	◆	SET OF 2 GASKETS CONNECTION FKM DIN 65	1	311654.01	■	
120	◆	SET OF 2 GASKETS CONNECTION FKM SMS 63	1	311583.01	■	
1012		SEAL	(2)			●
200B	◆	SET CYLINDER_PISTON S6C	1	313415.00	■	
201		CYLINDER	(1)			●
301		COMPLETE PISTON	(1)			●
206	◆	SET OF CYLINDER ORINGS -FKM CE1935_2004	1	304864.00	■	
205		SEAL FKM CE1935_2004	(2)			●
310	◆	SPRING BACK PISTON	1	201227		
310	◆	STRONG SPRING BACK PISTON	1	216494		
311	◆	PUSHER	1	206079		
317	◆	SEAL FKM CE1935_2004	1	230081		●
401B	◆	POLISH FRONT COVER - CLAMP ASME BPE 63	1	315660.00		
401B	◆	POLISH FRONT COVER - DIN 65	1	315654.00		
401B	◆	POLISH FRONT COVER - SMS 63	1	315653.00		
596	◆	COMPLETE TRANSMISSION BLOCK FKM WITH DETECTION	1	513910.03		●
596	◆	COMPLETE TRANSMISSION BLOCK FKM WITHOUT DETECTION	1	502038.03		●