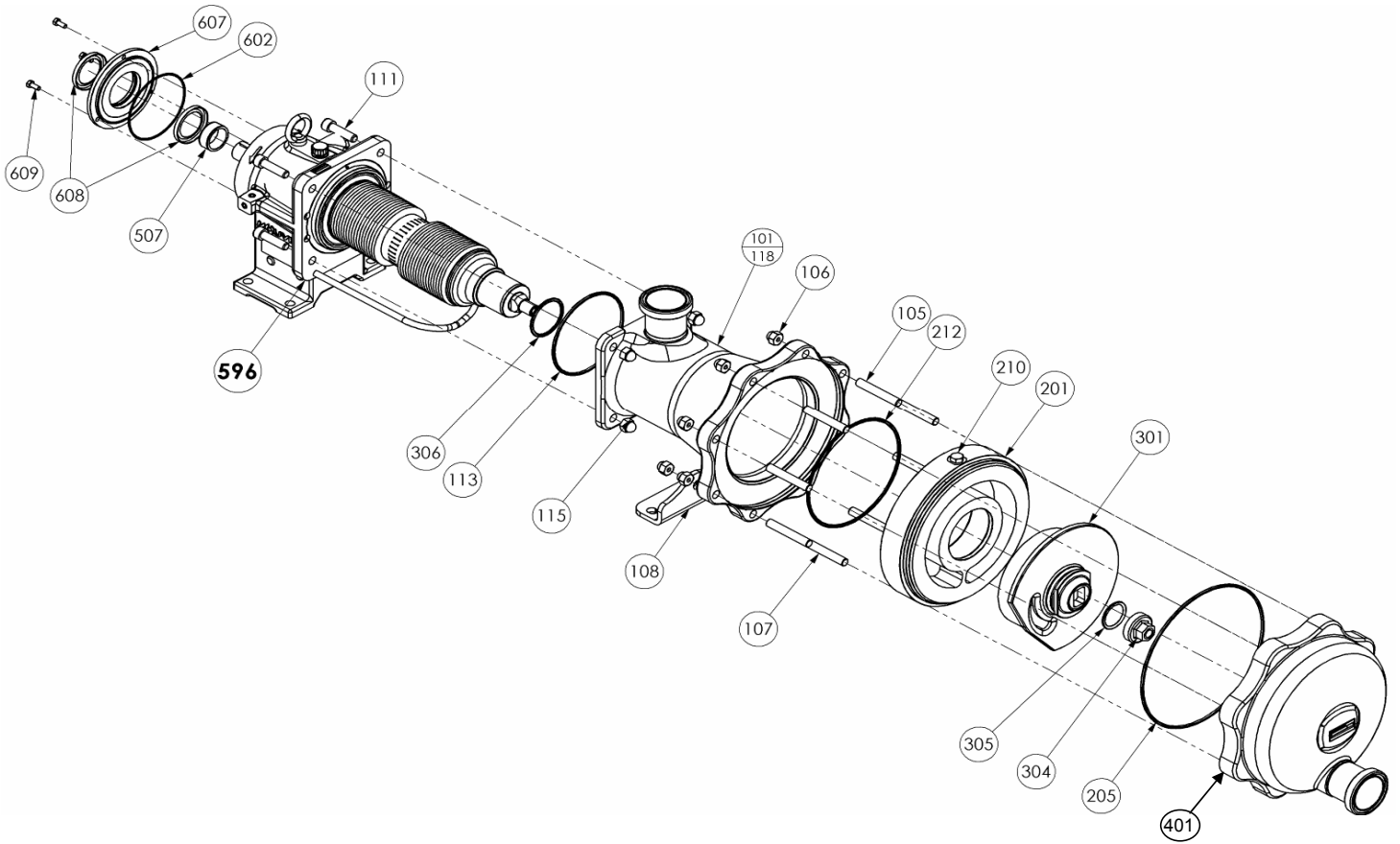


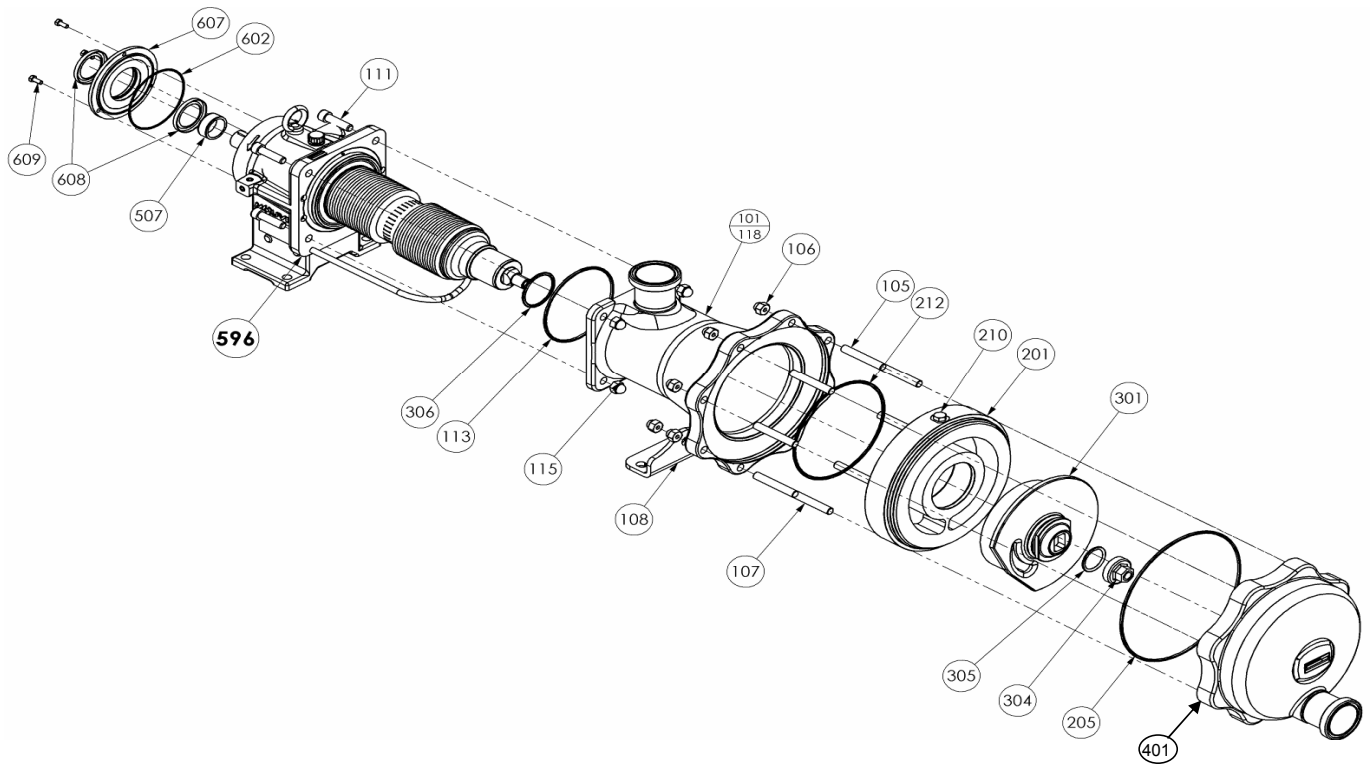
Section	1004
Effective	June 2010
Replaces	New

(See Instructions 1004-C00 for Installation, Operation and Maintenance)



Reference			Description	Quantity		Article code	Wear parts
Ass.	Part	Available		Order	In Pump	SLC24 - SLC36	
POLISHED INLET MANIFOLD :							
100		◆	Flange PN16 DN80	1		315110.00	
100		◆	Flange PN20 DN80	1		315112.00	
100		◆	Connection SMS 76	1		315114.00	
100		◆	Connection DIN 80	1		315116.00	
100		◆	Connection CHERRY BURREL 76	1		315120.00	
100		◆	Connection CLAMP ISO 76	1		315118.00	
100		◆	Flange ASEPTIK DIN 11864-BF-A DN80	1		315108.00	
100		◆	Connection CS F DN80	1		315122.00	
100		◆	Connection BS4825-5 DN80	1		315124.00	
NOT POLISHED INLET MANIFOLD :							
100		◆	Flange PN16 DN80	1		315109.00	
100		◆	Flange PN20 DN80	1		315111.00	
100		◆	Connection SMS 76	1		315113.00	
100		◆	Connection DIN 80	1		315115.00	
100		◆	Connection CHERRY BURREL 76	1		315119.00	
100		◆	Connection CLAMP ISO 76	1		315117.00	
100		◆	Flange ASEPTIK DIN 11864-BF-A DN80	1		315107.00	
100		◆	Connection CS F DN80	1		315121.00	
100		◆	Connection BS4825-5 DN80	1		315123.00	
	101		Main body		(1)		
	108		Support foot		(1)		
	118		Pin		(1)		

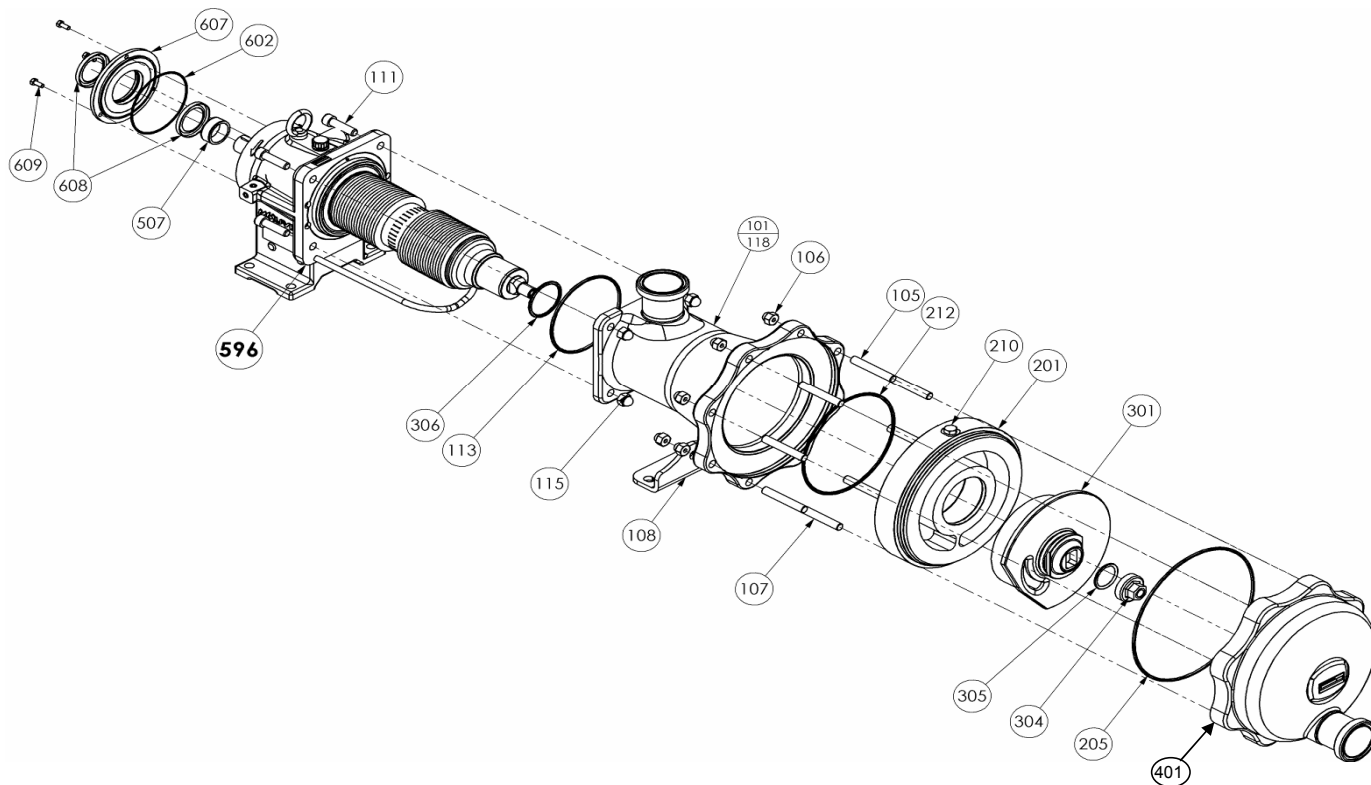
(◆) To order the required spare parts, indicate the appropriate CUM numbers.



Reference			Description	Quantity		Article code	Wear parts
Ass.	Part	Available		Order	In Pump	SLC24 - SLC36	
119		◆	Set of studs / screws / nuts - SLC24	1		314942.00	
119		◆	Set of studs / screws / nuts - SLC36	1		314943.00	
	105		Stud		(6)		
	106		Blind nut		(8)		
	107		Stud		(2)		
	111		Screw		(4)		
	115		Blind nut		(4)		
200		◆	Set cylinder/Piston - SLC24	1		314587.00	•
200		◆	Set cylinder/Piston - SLC36	1		314588.00	•
	201		Cylinder		(1)		
	301		Piston		(1)		
	304	▲	Piston nut	1		226729	
206		◆	Set of FKM 'O' ring seals	1		314948.00	•
206		◆	Set of CVT 'O' ring seals	1		314949.00	•
	113		Seal		(1)		
	205		Seal Ring		(1)		
	212		Seal		(1)		
	305		Seal		(1)		
	306		Seal		(1)		
401		◆	POLISHED FRONT COVER :				
401		◆	Flange PN16 DN80	1		315098.00	
401		◆	Flange PN20 DN80	1		315099.00	
401		◆	Connection SMS 76	1		315101.00	
401		◆	Connection DIN 80	1		315100.00	
401		◆	Connection CHERRY BURREL 76	1		315102.00	
401		◆	Connection CLAMP ISO 76	1		315103.00	
401		◆	Flange ASEPTIK DIN 11864-BF-A DN80	1		315104.00	
401		◆	Connection CS F DN80	1		315105.00	
401		◆	Connection BS4825-5 DN80	1		315106.00	
401		◆	NOT POLISHED FRONT COVER :				
401		◆	Flange PN16 DN80	1		314950.00	
401		◆	Flange PN20 DN80	1		315080.00	
401		◆	Connection SMS 76	1		314953.00	
401		◆	Connection DIN 80	1		314952.00	
401		◆	Connection CHERRY BURREL 76	1		314954.00	
401		◆	Connection CLAMP ISO 76	1		314955.00	
401		◆	Flange ASEPTIK DIN 11864-BF-A DN80	1		314956.00	
401		◆	Connection CS F DN80	1		314957.00	
401		◆	Connection BS4825-5 DN80	1		314958.00	
	404/414		Connection / Flange		(1)		
	405		Front cover		(1)		
	412		Tube (PN16 & PN20 only)		(1)		

CVT - FEP encapsulated FKM ; FDA : Food and Drug Administration (21 CFR 177 2600)

(◆) To order the required spare parts, indicate the appropriate CUM numbers.



Reference			Description	Quantity		Article code	Wear parts
Ass.	Part	Available		Order	In Pump	SLC24 - SLC36	
596		◆	COMPLETE TRANSMISSION :	1		314959.00	
596		◆	without Bellows monitoring system	1		314960.00	
596		◆	with Pressure switch bellows monitoring system	1		314961.00	
596		◆	with ATEX pressure switch bellows monitoring system	1		314962.00	
	9	◆	Bearing gaskets / screws set	1		315283.00	•
	507		Ring		(1)		
	602		Gasket		(1)		
	608		Lip seal		(2)		
	609		Bearing screws		(3)		
	8	◆	Plugs set	1		312196.00	
	701		Lifting eye bolts		(1)		
	702		Seal		(1)		
	715		Breather		(1)		
	771		Seal		(1)		
	772		Plug		(1)		
	773		Drain plug		(1)		
	774		Seal		(1)		

CVT - FEP encapsulated FKM ; FDA : Food and Drug Administration (21 CFR 177 2600)

(◆) To order the required spare parts, indicate the appropriate CUM numbers.

Keep this parts lists with Installation, Operation and Maintenance Instructions.

CVT - FEP encapsulated FKM



Z.I. la Plaine des Isles - 2 rue des Caillottes F-89000 AUXERRE - France
 Tel : +33 (0)3 86 49 86 30 • Fax : +33 (0)3 86 49 87 17
 contact@mouvex.com • www.mouvex.com