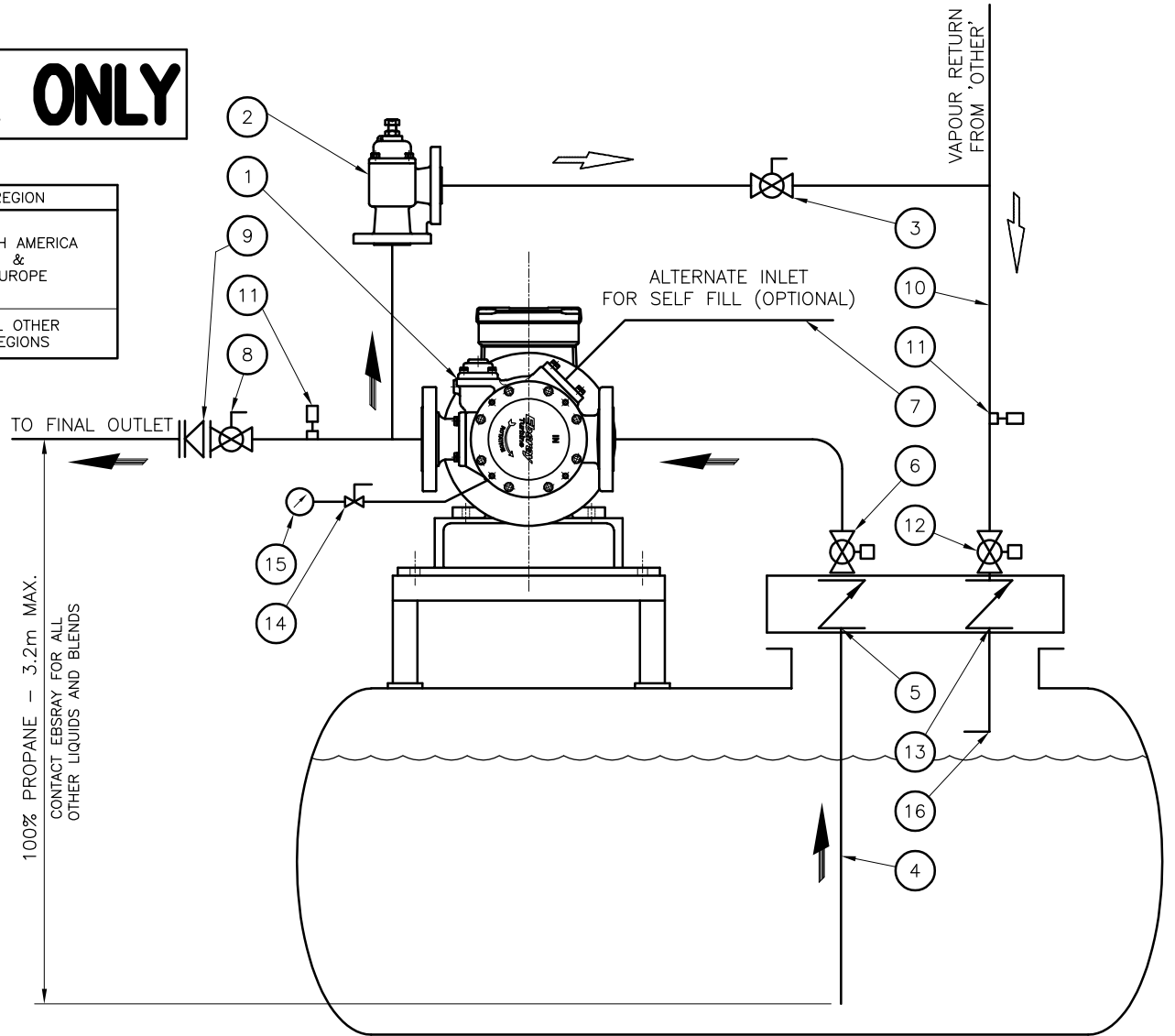


IMPORTANT NOTES

- 1 This P&ID is **TYPICAL ONLY** and Only Relates to the Specifications of the Minimum Equipment Required to Ensure the Optimum Performance, Maximum Life and Trouble-Free Operation of the Ebsray R75 Pumpset and the Pumping System in General.
- 2 This P&ID Does **NOT** Depict:
 - 2.1 Ancillary Required Equipment Related to the Fabrication, Installation and Operation of the Pumpset e.g. Misc. Flanges, Fittings, Etc..
 - 2.2 Required Equipment unrelated to the Pumpset e.g. Tank Fill Lines, Vapour Return Lines, Emergency Shutdown Systems, Etc.
 - 2.3 The Materials and Method of Fabrication and/or Installation of the Tank and Required Sub-Systems.
- 3 It is the Responsibility of the Designer, Fabricator and the Installer of Each Actual Tank and Required Sub-Systems to Ensure that:
 - 3.1 The Ebsray Specifications within this P&ID and any other Relevant Ebsray Documents are **STRICTLY** Adhered to.
 - 3.2 Any Variation (Including Use of Equipment Deemed "Equivalent") or Addition to the Ebsray Specifications, as Related to the Pumpset and the Pumping System in General, meet Ebsray's Minimum Requirements.
 - 3.3 All Design, Fabrication and Installation of the Tank and Required Sub-Systems is **STRICTLY** in Accordance with all Relevant Federal, State and Local Codes, Regulations and Standards.
- 4 Ebsray Reserves the Right to:
 - 4.1 Withdraw or Alter Any or All of the Ebsray Specifications within this P&ID and any other Relevant Ebsray Documents without Notification.
 - 4.2 Determine the Validity of Any Warranty Claims for Ebsray Equipment Based on the Proper Application of Ebsray Supplied Equipment by the way of Adherence to the Ebsray Specifications within this P&ID and any other Relevant Ebsray Documents.

TYPICAL ONLY

BYPASS	REGION
BLACKMER 'BV2A' + EBSRAY 'CBS BV2' KIT	NORTH AMERICA & EUROPE
EBSRAY 'RV19CBS'	ALL OTHER REGIONS



ITEM	DESCRIPTION	SUPPLY	QTY
1	EBSRAY 'R75' & 'R77' PUMPSET DN80 (3") ANSI CLASS 300 INLET, DN50 (2") OR DN80 (3") NPT/ANSI CLASS 300 DISCHARGE AND OPTIONAL ALTERNATE INLET	EBSRAY	1
2	EBSRAY 'RV19VRS' DN40 (1-1/2") ANSI CLASS 300 OR BLACKMER 'BV2A' BYPASS VALVE DN50 (2") NPT + EBSRAY 'CBS4 BV2' KIT BYPASS VALVE (SEE TABLE FOR REGIONAL VARIANTS)	EBSRAY	1
3	DN40 (1-1/2") FULL BORE BALL VALVE (FOR SERVICE)	COM'L	1
4	DN80 (3") Sch 40 PIPE (PUMP INLET - IN TANK)	COM'L	1
5	DN80 (3") LOW PRESSURE DROP EXCESS FLOW VALVE REGO 'A1519A6' OR SIMILAR	COM'L	1
6	DN80 (3") FULL BORE PNEUMATIC ACTUATED BALL VALVE-FIRST CONNECTION	COM'L	1
7	DN50 (2") Sch 40 PIPE (PUMP ALTERNATE INLET-SELF FILL-OPTIONAL)	COM'L	1
8	DN50 (2") FULL BORE BALL VALVE	COM'L	1
9	DN50 SOFT SEATED BACK CHECK VALVE WITH CATHODIC GASKET/UNION	COM'L	1
10	DN50 (2") Sch 40 PIPE (PUMP DISCHARGE & BYPASS RETURN)	COM'L	1
11	DN8 (1/4") HYDROSTATIC RELIEF VALVE	COM'L	2
12	DN50 (2") FULL BORE PNEUMATIC ACTUATED BALL VALVE-FIRST CONNECTION	COM'L	1
13	DN50 (2") EXCESS FLOW VALVE (NOT NON-RETURN VALVE)	COM'L	1
14	DN8 (1/4") ISOLATION VALVE	COM'L	1
15	63mm, 0-2500 kPa (400 PSID) PRESSURE GAUGE	COM'L	1
16	DN50 (2") SPRAY FILL (DIRECTING LIQUID DOWN LONG END OF TANK)	COM'L	1

						Ebsray part of PSG a DOVER company		TITLE: TYPICAL UNDERGROUND INSTALLATION P&ID EBSRAY R75 & R77 PUMP		
								SCALE: NA	DATE: 2018-NOV-16	
								DRAWN: J.J.D.	CHK.D: J.J.D.	APPR.:
						UNLESS STATED OTHERWISE ALL DIMENSIONS IN MILLIMETRES		COMP.No:	DRG.No	REV.
								A900001K	A900001K	B
REV	DATE	DESCRIPTION	REV. BY	CKD. BY	APPR. BY					

VALVE REGION TABLE ADDED, DISPLAYED VALVE CHANGED TO EBSRAY 'RV19' FROM BLACKMER 'BV2A', HYDRO. RELIEF VALVE ADDED AT DISCHARGE

G.B.T.B. J.J.D.

ABN 52 000 061 003
156 South Creek Road Ph.(61 2) 9905 0234
Cromer NSW 2099 Fax(61 2) 9938 3825
Australia www.ebsraypumps.com.au