

DIMENSIONS 107-105

Section 107
 Effective APRIL 2003
 Replaces DECEMBER 2000
 Pg 2/7

TYPE

SIZE

UNIT
STYLE

XL

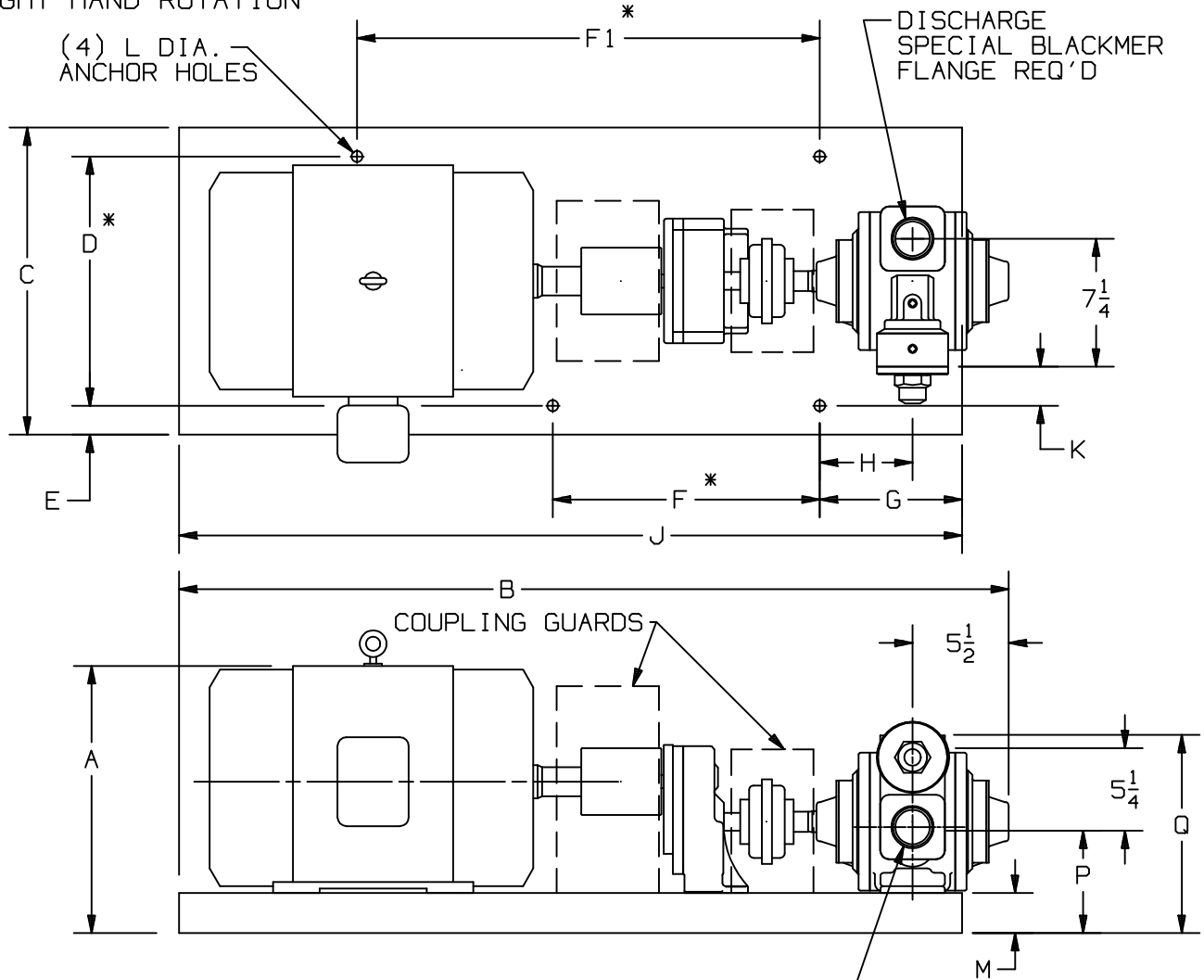
2

HROF



www.blackmer.com

RIGHT HAND ROTATION



UNIT DIMENSION LESS FLANGES

* TOLERANCE $\pm \frac{1}{8}$

TOLERANCE ON OTHER DIMENSIONS $\pm \frac{1}{4}$

"A" DIMENSION LESS EYEBOLT

INTAKE
SPECIAL BLACKMER
FLANGE REQ'D

FLG. HGT: 2" NPT - 1 1/8
 2" WELD - 1 1/4

| MOTOR | | BASE NO. | DIMENSIONS | | | | | | | | | | | | | | |
|------------|--|----------|------------|--------|--------|----|-------|----|----|---|-------|----|-------|------|-------|-------|--------|
| FRAME SIZE | | | A | B | C | D | E | F | F1 | G | H | J | K | L | M | P | Q |
| 143T | | 901790 | 12 1/4 | 36 5/8 | 14 3/4 | 10 | 2 3/8 | 12 | 12 | 6 | 3 1/4 | 33 | 1/4 | 7/16 | 1 3/4 | 5 1/2 | 12 1/8 |
| 145T | | 901790 | 12 1/4 | 37 1/2 | 14 3/4 | 10 | 2 3/8 | 12 | 12 | 6 | 3 1/4 | 33 | 1/4 | 7/16 | 1 3/4 | 5 1/2 | 12 1/8 |
| 182T | | 901790 | 13 3/8 | 38 1/2 | 14 3/4 | 10 | 2 3/8 | 12 | 12 | 6 | 3 1/4 | 33 | 1/4 | 7/16 | 1 3/4 | 5 1/2 | 12 1/8 |
| 184T | | 901790 | 13 3/8 | 39 7/8 | 14 3/4 | 10 | 2 3/8 | 12 | 12 | 6 | 3 1/4 | 33 | 1/4 | 7/16 | 1 3/4 | 5 1/2 | 12 1/8 |
| 213T | | 901791 | 14 5/8 | 47 1/2 | 17 1/4 | 14 | 1 5/8 | 15 | 26 | 8 | 5 1/4 | 44 | 2 1/4 | 5/8 | 2 1/4 | 6 | 12 5/8 |
| 215T | | 901791 | 14 5/8 | 47 1/2 | 17 1/4 | 14 | 1 5/8 | 15 | 26 | 8 | 5 1/4 | 44 | 2 1/4 | 5/8 | 2 1/4 | 6 | 12 5/8 |
| 254T | | 901791 | 15 7/8 | 47 1/2 | 17 1/4 | 14 | 1 5/8 | 15 | 26 | 8 | 5 1/4 | 44 | 2 1/4 | 5/8 | 2 1/4 | 6 | 12 5/8 |
| 256T | | 901791 | 15 7/8 | 48 3/4 | 17 1/4 | 14 | 1 5/8 | 15 | 26 | 8 | 5 1/4 | 44 | 2 1/4 | 5/8 | 2 1/4 | 6 | 12 5/8 |

DIMENSIONS 107-105

Section 107
 Effective APRIL 2003
 Replaces DECEMBER 2000
 Pg 3/7

TYPE

SIZE

UNIT
STYLE

XL

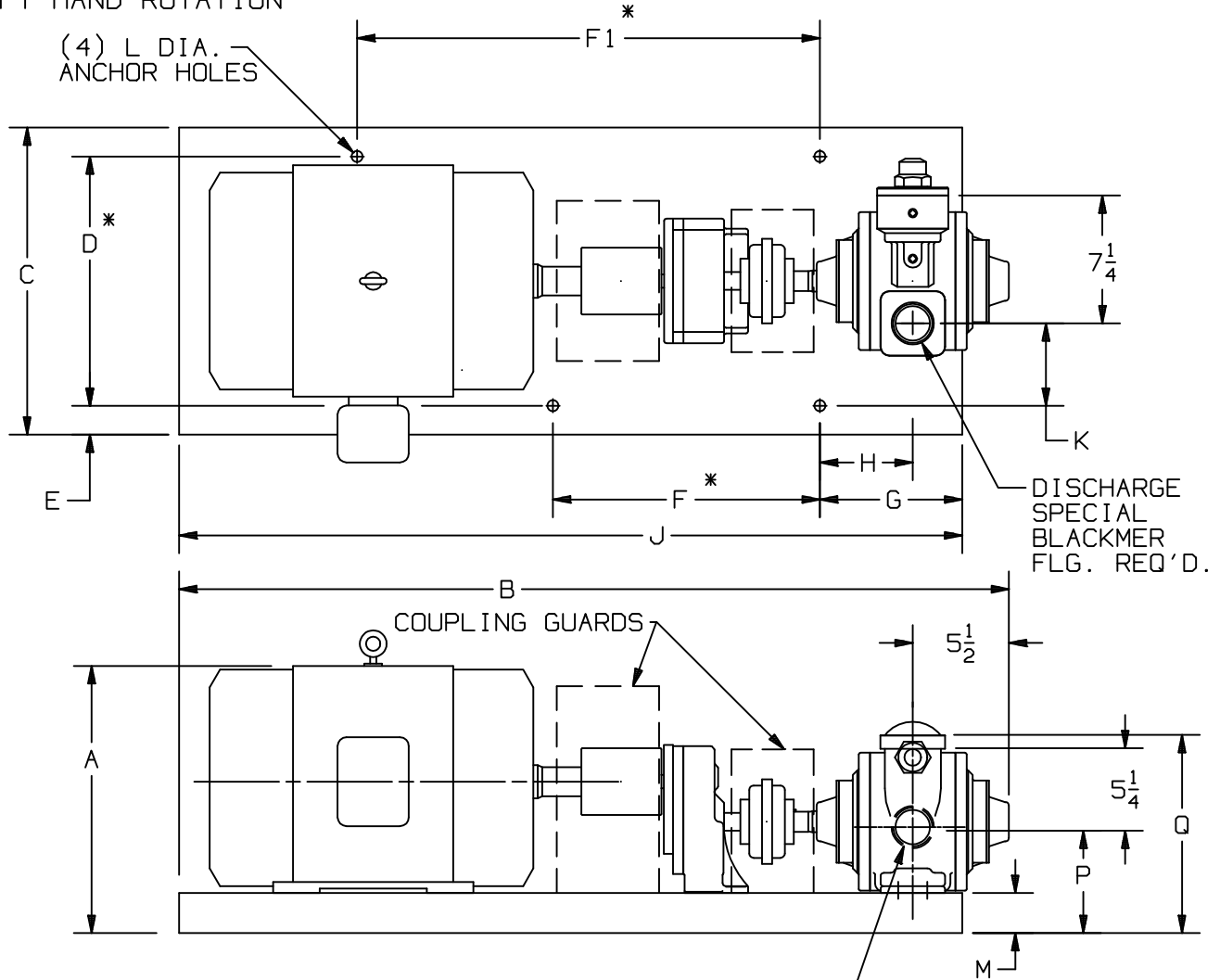
2

HROF



www.blackmer.com

LEFT HAND ROTATION



UNIT DIMENSION LESS FLANGES


* TOLERANCE $\pm \frac{1}{8}$

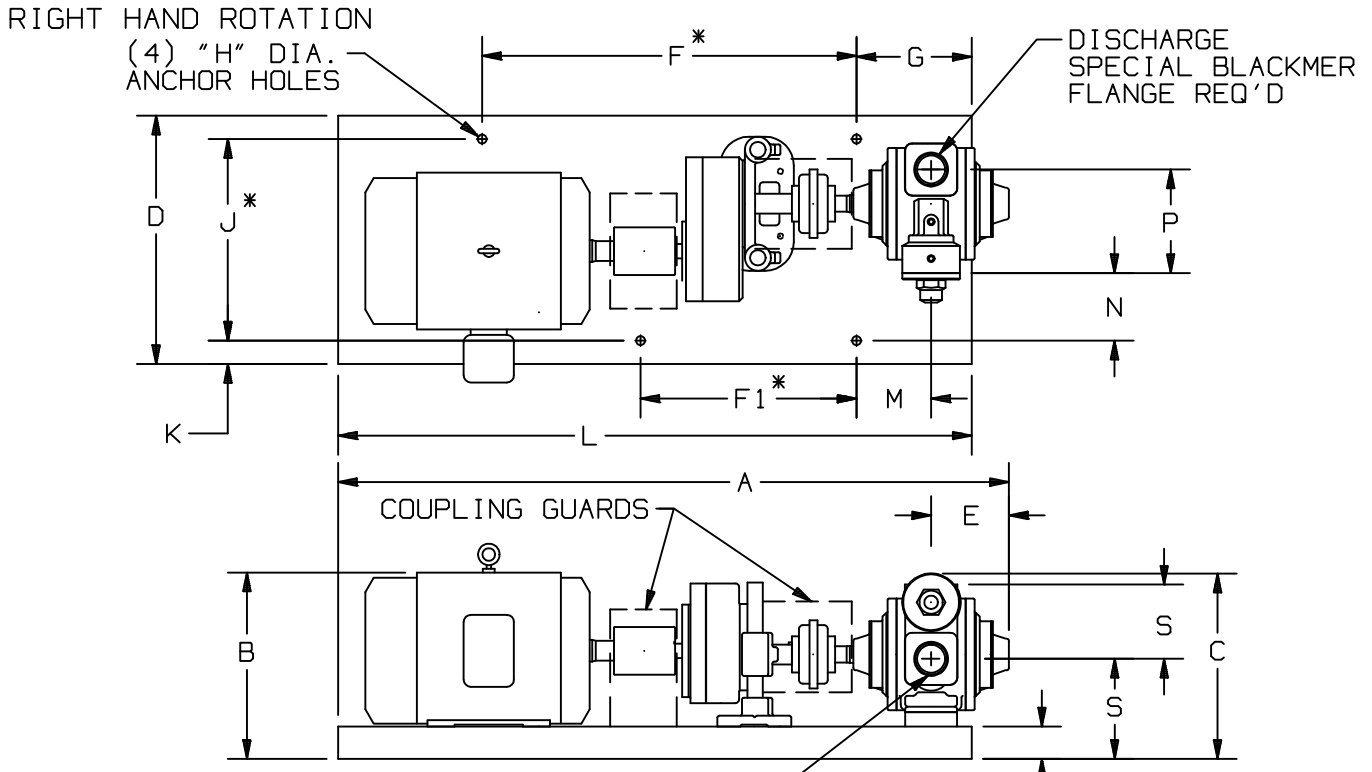
TOLERANCE ON OTHER DIMENSIONS $\pm \frac{1}{4}$

"A" DIMENSION LESS EYEBOLT

FLG. HGT: 2" NPT - 1 1/8
 2" WELD - 1 1/4

| MOTOR | | BASE NO. | DIMENSIONS | | | | | | | | | | | | | | |
|------------|--|----------|------------|--------|--------|----|-------|----|----|---|-------|----|-------|------|-------|-------|--------|
| FRAME SIZE | | | A | B | C | D | E | F | F1 | G | H | J | K | L | M | P | Q |
| 143T | | 901790 | 12 1/4 | 36 5/8 | 14 3/4 | 10 | 2 3/8 | 12 | 12 | 6 | 3 1/4 | 33 | 2 5/8 | 7/16 | 1 3/4 | 5 1/2 | 12 1/8 |
| 145T | | 901790 | 12 1/4 | 37 1/2 | 14 3/4 | 10 | 2 3/8 | 12 | 12 | 6 | 3 1/4 | 33 | 2 5/8 | 7/16 | 1 3/4 | 5 1/2 | 12 1/8 |
| 182T | | 901790 | 13 3/8 | 38 1/2 | 14 3/4 | 10 | 2 3/8 | 12 | 12 | 6 | 3 1/4 | 33 | 2 5/8 | 7/16 | 1 3/4 | 5 1/2 | 12 1/8 |
| 184T | | 901790 | 13 3/8 | 39 7/8 | 14 3/4 | 10 | 2 3/8 | 12 | 12 | 6 | 3 1/4 | 33 | 2 5/8 | 7/16 | 1 3/4 | 5 1/2 | 12 1/8 |
| 213T | | 901791 | 14 5/8 | 47 1/2 | 17 1/4 | 14 | 1 5/8 | 15 | 26 | 8 | 5 1/4 | 44 | 4 5/8 | 5/8 | 2 1/4 | 6 | 12 5/8 |
| 215T | | 901791 | 14 5/8 | 47 1/2 | 17 1/4 | 14 | 1 5/8 | 15 | 26 | 8 | 5 1/4 | 44 | 4 5/8 | 5/8 | 2 1/4 | 6 | 12 5/8 |
| 254T | | 901791 | 15 7/8 | 47 1/2 | 17 1/4 | 14 | 1 5/8 | 15 | 26 | 8 | 5 1/4 | 44 | 4 5/8 | 5/8 | 2 1/4 | 6 | 12 5/8 |
| 256T | | 901791 | 15 7/8 | 48 3/4 | 17 1/4 | 14 | 1 5/8 | 15 | 26 | 8 | 5 1/4 | 44 | 4 5/8 | 5/8 | 2 1/4 | 6 | 12 5/8 |

| | | | | | |
|--------------------|------------|------|------|------------|---|
| DIMENSIONS 107-105 | | TYPE | SIZE | UNIT STYLE |  www.blackmer.com |
| Section | 107 | XL | 2 | HRA | |
| Effective | APRIL 2003 | | | | |
| Replaces | MAY 2000 | | | | |
| Pg | 4 / 7 | | | | |



UNIT DIMENSION LESS FLANGES
 * TOLERANCE $\pm \frac{1}{8}$ IN, $\pm 3,2$ MM
 TOLERANCE ON OTHER DIMENSIONS $\pm \frac{1}{4}$ IN, $\pm 6,4$ MM
 "B" DIMENSION LESS EYEBOLT

FLG. HGT: 2" NPT - W
 2" WELD - X

| MOTOR | | | DIMENSIONS | | | | | | | | | | | | | |
|------------|--|----------|------------|--------|--------|--------|--------|-------|-------|-------|-------|------|-------|-------|--------|--|
| FRAME SIZE | | BASE NO. | UNITS | A | B | C | D | E | F | F1 | G | H | J | K | L | |
| 182T | | 901776 | IN | 47 1/2 | 11 7/8 | 13 5/8 | 17 1/4 | 5 1/2 | 26 | 15 | 8 | 7/16 | 14 | 1 5/8 | 44 | |
| | | | MM | 1206,5 | 301,8 | 346 | 438,2 | 139,7 | 660,4 | 381 | 203,4 | 15,7 | 355,6 | 41,2 | 1117,6 | |
| 184T | | 901776 | IN | 47 1/2 | 11 7/8 | 13 5/8 | 17 1/4 | 5 1/2 | 26 | 15 | 8 | 7/16 | 14 | 1 5/8 | 44 | |
| | | | MM | 1206,5 | 301,8 | 346 | 438,2 | 139,7 | 660,4 | 381 | 203,4 | 15,7 | 355,6 | 41,2 | 1117,6 | |
| 213T | | 901776 | IN | 47 1/2 | 13 3/8 | 13 5/8 | 17 1/4 | 5 1/2 | 26 | 15 | 8 | 7/16 | 14 | 1 5/8 | 44 | |
| | | | MM | 1206,5 | 339,8 | 346 | 438,2 | 139,7 | 660,4 | 381 | 203,4 | 15,7 | 355,6 | 41,2 | 1117,6 | |
| 215T | | 901776 | IN | 47 1/2 | 13 3/8 | 13 5/8 | 17 1/4 | 5 1/2 | 26 | 15 | 8 | 7/16 | 14 | 1 5/8 | 44 | |
| | | | MM | 1206,5 | 339,8 | 346 | 438,2 | 139,7 | 660,4 | 381 | 203,4 | 15,7 | 355,6 | 41,2 | 1117,6 | |
| | | | | M | N | P | Q | R | S | W | X | | | | | |
| 182T | | 901776 | IN | 5 1/4 | 4 3/4 | 7 1/4 | 2 1/4 | 7 | 5 1/4 | 1 1/8 | 1 1/4 | | | | | |
| | | | MM | 133,4 | 120,7 | 184,2 | 57,2 | 177,8 | 133,4 | 28,4 | 31,8 | | | | | |
| 184T | | 901776 | IN | 5 1/4 | 4 3/4 | 7 1/4 | 2 1/4 | 7 | 5 1/4 | 1 1/8 | 1 1/4 | | | | | |
| | | | MM | 133,4 | 120,7 | 184,2 | 57,2 | 177,8 | 133,4 | 28,4 | 31,8 | | | | | |
| 213T | | 901776 | IN | 5 1/4 | 4 3/4 | 7 1/4 | 2 1/4 | 7 | 5 1/4 | 1 1/8 | 1 1/4 | | | | | |
| | | | MM | 133,4 | 120,7 | 184,2 | 57,2 | 177,8 | 133,4 | 28,4 | 31,8 | | | | | |
| 215T | | 901776 | IN | 5 1/4 | 4 3/4 | 7 1/4 | 2 1/4 | 7 | 5 1/4 | 1 1/8 | 1 1/4 | | | | | |
| | | | MM | 133,4 | 120,7 | 184,2 | 57,2 | 177,8 | 133,4 | 28,4 | 31,8 | | | | | |

DIMENSIONS 107-105

Section 107
 Effective APRIL 2003
 Replaces MAY 2000
 Pg 5/7

TYPE

SIZE

UNIT
 STYLE

XL

2

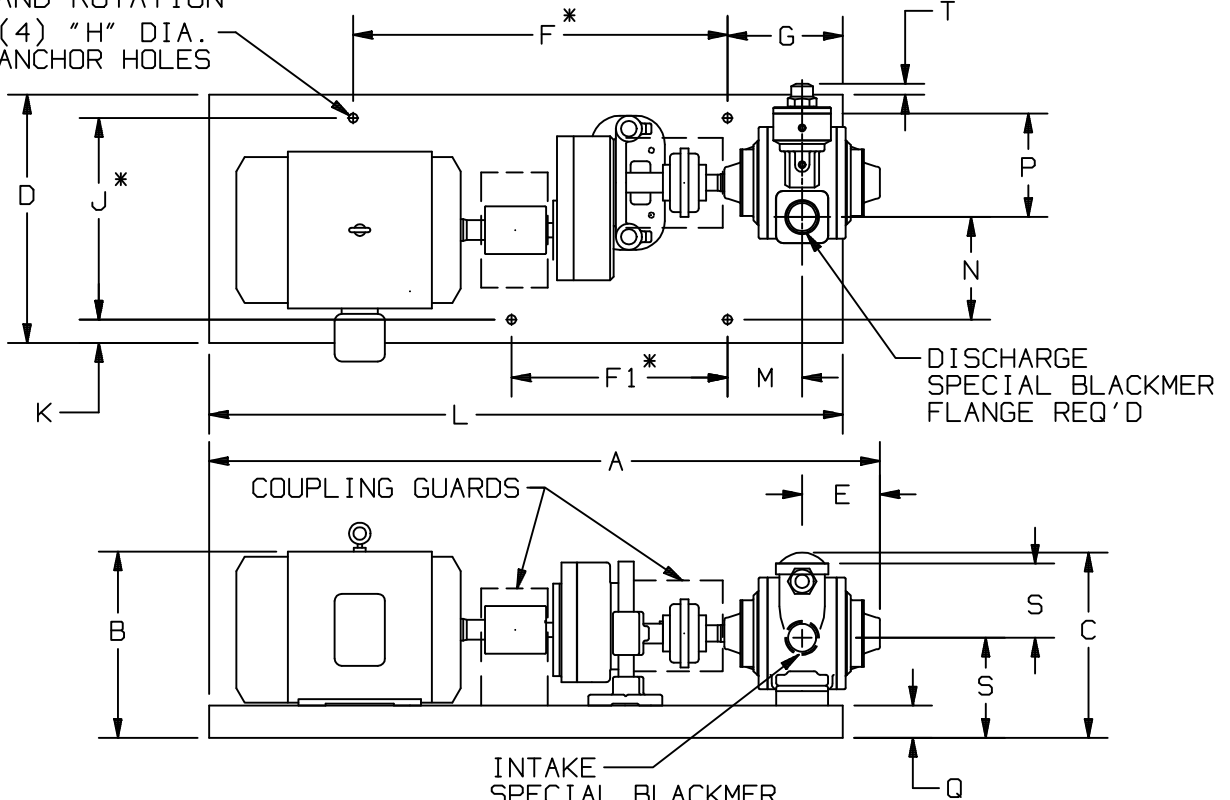
HRA



www.blackmer.com

LEFT HAND ROTATION

(4) "H" DIA.
 ANCHOR HOLES



UNIT DIMENSION LESS FLANGES

* TOLERANCE $\pm \frac{1}{8}$ IN, $\pm 3,2$ MM

TOLERANCE ON OTHER DIMENSIONS $\pm \frac{1}{4}$ IN, $\pm 6,4$ MM

"B" DIMENSION LESS EYEBOLT

FLG. HGT: 2" NPT - W
 2" WELD - X

| MOTOR | | | BASE NO. | DIMENSIONS | | | | | | | | | | | | |
|------------|--|--|----------|------------|--------|--------|--------|--------|-------|-------|------|-------|-------|-------|-------|--------|
| FRAME SIZE | | | | UNITS | A | B | C | D | E | F | F1 | G | H | J | K | L |
| 182T | | | 901776 | IN | 47 1/2 | 11 7/8 | 13 5/8 | 17 1/4 | 5 1/2 | 26 | 15 | 8 | 7/16 | 14 | 1 5/8 | 44 |
| | | | | MM | 1206,5 | 301,8 | 346 | 438,2 | 139,7 | 660,4 | 381 | 203,4 | 15,7 | 355,6 | 41,2 | 1117,6 |
| 184T | | | 901776 | IN | 47 1/2 | 11 7/8 | 13 5/8 | 17 1/4 | 5 1/2 | 26 | 15 | 8 | 7/16 | 14 | 1 5/8 | 44 |
| | | | | MM | 1206,5 | 301,8 | 346 | 438,2 | 139,7 | 660,4 | 381 | 203,4 | 15,7 | 355,6 | 41,2 | 1117,6 |
| 213T | | | 901776 | IN | 47 1/2 | 13 3/8 | 13 5/8 | 17 1/4 | 5 1/2 | 26 | 15 | 8 | 7/16 | 14 | 1 5/8 | 44 |
| | | | | MM | 1206,5 | 339,8 | 346 | 438,2 | 139,7 | 660,4 | 381 | 203,4 | 15,7 | 355,6 | 41,2 | 1117,6 |
| 215T | | | 901776 | IN | 47 1/2 | 13 3/8 | 13 5/8 | 17 1/4 | 5 1/2 | 26 | 15 | 8 | 7/16 | 14 | 1 5/8 | 44 |
| | | | | MM | 1206,5 | 339,8 | 346 | 438,2 | 139,7 | 660,4 | 381 | 203,4 | 15,7 | 355,6 | 41,2 | 1117,6 |
| | | | | | M | N | P | Q | R | S | T | W | X | | | |
| 182T | | | 901776 | IN | 5 1/4 | 7 1/4 | 7 1/4 | 2 1/4 | 7 | 5 1/4 | 3/4 | 1 1/8 | 1 1/4 | | | |
| | | | | MM | 133,4 | 184,2 | 184,2 | 57,2 | 177,8 | 133,4 | 19,1 | 28,4 | 31,8 | | | |
| 184T | | | 901776 | IN | 5 1/4 | 7 1/4 | 7 1/4 | 2 1/4 | 7 | 5 1/4 | 3/4 | 1 1/8 | 1 1/4 | | | |
| | | | | MM | 133,4 | 184,2 | 184,2 | 57,2 | 177,8 | 133,4 | 19,1 | 28,4 | 31,8 | | | |
| 213T | | | 901776 | IN | 5 1/4 | 7 1/4 | 7 1/4 | 2 1/4 | 7 | 5 1/4 | 3/4 | 1 1/8 | 1 1/4 | | | |
| | | | | MM | 133,4 | 184,2 | 184,2 | 57,2 | 177,8 | 133,4 | 19,1 | 28,4 | 31,8 | | | |
| 215T | | | 901776 | IN | 5 1/4 | 7 1/4 | 7 1/4 | 2 1/4 | 7 | 5 1/4 | 3/4 | 1 1/8 | 1 1/4 | | | |
| | | | | MM | 133,4 | 184,2 | 184,2 | 57,2 | 177,8 | 133,4 | 19,1 | 28,4 | 31,8 | | | |

DIMENSIONS 107-105

Section 107
 Effective APRIL 2003
 Replaces MAY 2000
 Pg 6/7

TYPE

SIZE

UNIT
 STYLE

XL

2

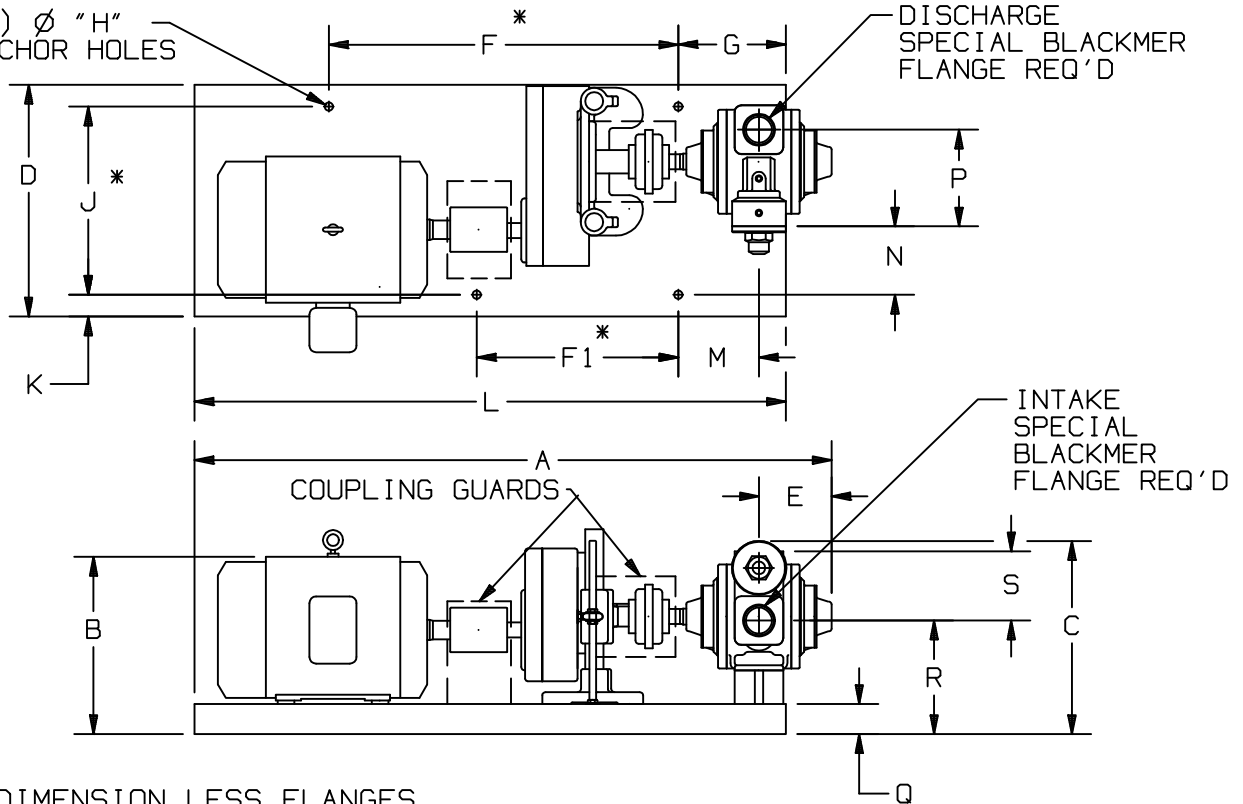
HRB



www.blackmer.com

RIGHT HAND ROTATION

(4) Ø "H"
 ANCHOR HOLES



UNIT DIMENSION LESS FLANGES

* TOLERANCE $\pm \frac{1}{8}$ IN, $\pm 3,2$ MM

TOLERANCE ON OTHER DIMENSIONS $\pm \frac{1}{4}$ IN, $\pm 6,4$ MM

"B" DIMENSION LESS EYEBOLT

FLG. HGT: 2" NPT - W
 2" WELD - X

| MOTOR | | | DIMENSIONS | | | | | | | | | | | | |
|------------|--|----------|------------|--------|--------|-------|--------|-------|-------|-------|-------|------|-------|-------|--------|
| FRAME SIZE | | BASE NO. | UNITS | A | B | C | D | E | F | F1 | G | H | J | K | L |
| 182T | | 901777 | IN | 48 1/4 | 12 7/8 | 15 | 17 1/4 | 5 1/4 | 26 | 15 | 8 | 5/8 | 14 | 1 5/8 | 44 |
| | | | MM | 1225,6 | 327,2 | 381 | 438,2 | 133,4 | 660,4 | 381 | 203,4 | 15,9 | 355,6 | 41,2 | 1117,6 |
| 184T | | 901777 | IN | 48 1/4 | 12 7/8 | 15 | 17 1/4 | 5 1/4 | 26 | 15 | 8 | 5/8 | 14 | 1 5/8 | 44 |
| | | | MM | 1225,6 | 327,2 | 381 | 438,2 | 133,4 | 660,4 | 381 | 203,4 | 15,9 | 355,6 | 41,2 | 1117,6 |
| 213T | | 901777 | IN | 48 1/4 | 13 5/8 | 15 | 17 1/4 | 5 1/4 | 26 | 15 | 8 | 5/8 | 14 | 1 5/8 | 44 |
| | | | MM | 1225,6 | 346 | 381 | 438,2 | 133,4 | 660,4 | 381 | 203,4 | 15,9 | 355,6 | 41,2 | 1117,6 |
| 215T | | 901777 | IN | 48 1/4 | 13 5/8 | 15 | 17 1/4 | 5 1/4 | 26 | 15 | 8 | 5/8 | 14 | 1 5/8 | 44 |
| | | | MM | 1225,6 | 346 | 381 | 438,2 | 133,4 | 660,4 | 381 | 203,4 | 15,9 | 355,6 | 41,2 | 1117,6 |
| | | | | M | N | P | Q | R | S | W | X | | | | |
| 182T | | 901777 | IN | 6 | 5 1/4 | 7 1/4 | 2 1/4 | 8 3/8 | 5 1/4 | 1 1/8 | 1 1/4 | | | | |
| | | | MM | 152,4 | 133,4 | 184,2 | 57,2 | 212,8 | 133,4 | 28,4 | 31,8 | | | | |
| 184T | | 901777 | IN | 6 | 5 1/4 | 7 1/4 | 2 1/4 | 8 3/8 | 5 1/4 | 1 1/8 | 1 1/4 | | | | |
| | | | MM | 152,4 | 133,4 | 184,2 | 57,2 | 212,8 | 133,4 | 28,4 | 31,8 | | | | |
| 213T | | 901777 | IN | 6 | 5 1/4 | 7 1/4 | 2 1/4 | 8 3/8 | 5 1/4 | 1 1/8 | 1 1/4 | | | | |
| | | | MM | 152,4 | 133,4 | 184,2 | 57,2 | 212,8 | 133,4 | 28,4 | 31,8 | | | | |
| 215T | | 901777 | IN | 6 | 5 1/4 | 7 1/4 | 2 1/4 | 8 3/8 | 5 1/4 | 1 1/8 | 1 1/4 | | | | |
| | | | MM | 152,4 | 133,4 | 184,2 | 57,2 | 212,8 | 133,4 | 28,4 | 31,8 | | | | |

DIMENSIONS 107-105

Section 107
 Effective APRIL 2003
 Replaces MAY 2000
 Pg 7/7

TYPE

SIZE

UNIT
 STYLE

XL

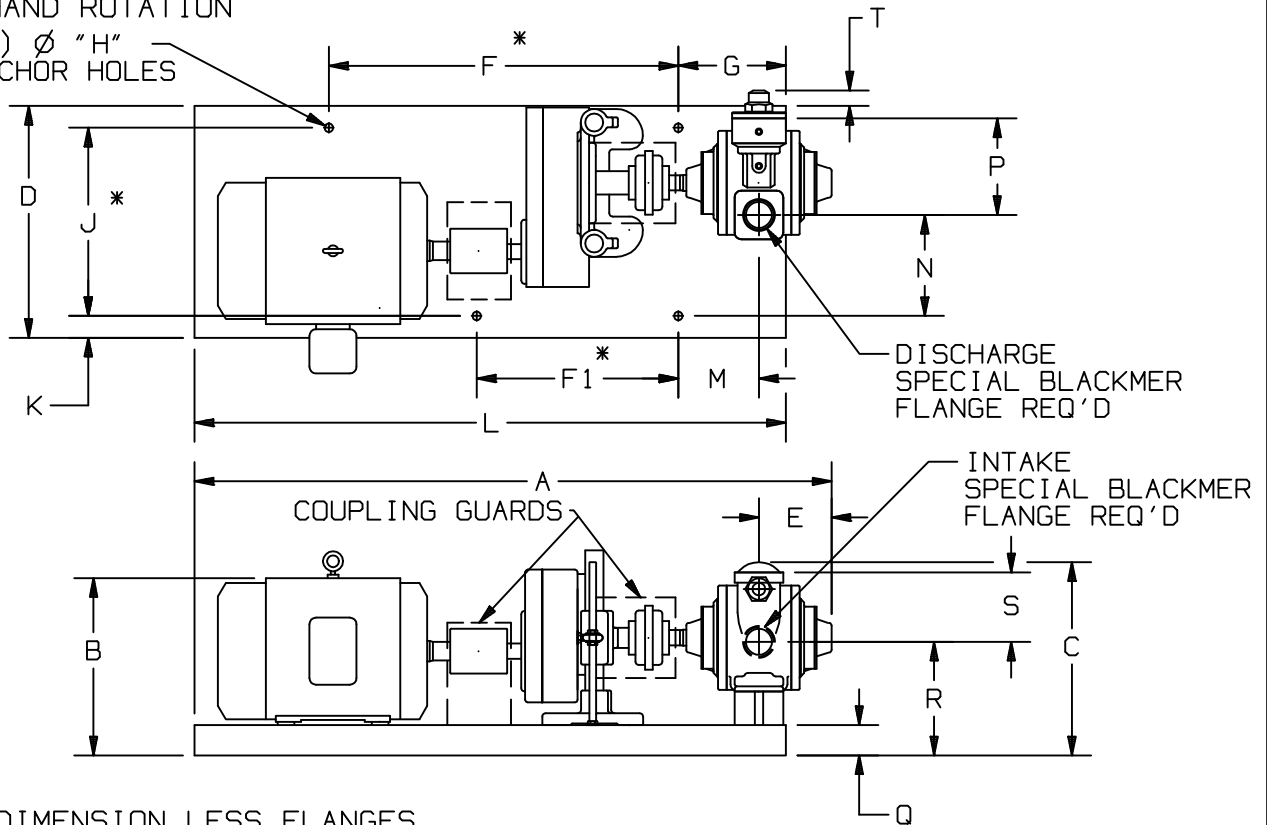
2

HRB



LEFT HAND ROTATION

(4) ϕ "H"
 ANCHOR HOLES



UNIT DIMENSION LESS FLANGES

* TOLERANCE $\pm \frac{1}{8}$ IN, ± 3.2 MM

TOLERANCE ON OTHER DIMENSIONS $\pm \frac{1}{4}$ IN, ± 6.4 MM

"B" DIMENSION LESS EYEBOLT

FLG. HGT: 2" NPT - W
 2" WELD - X

| MOTOR | | | DIMENSIONS | | | | | | | | | | | | | |
|------------|--|----------|------------|--------|--------|-------|--------|-------|-------|-------|-------|-------|-------|-------|--------|--|
| FRAME SIZE | | BASE NO. | UNITS | A | B | C | D | E | F | F1 | G | H | J | K | L | |
| 182T | | 901777 | IN | 48 1/4 | 12 7/8 | 15 | 17 1/4 | 5 1/4 | 26 | 15 | 8 | 5/8 | 14 | 1 5/8 | 44 | |
| | | | MM | 1225.6 | 327.2 | 381 | 438.2 | 133.4 | 660.4 | 381 | 203.4 | 15.9 | 355.6 | 41.2 | 1117.6 | |
| 184T | | 901777 | IN | 48 1/4 | 12 7/8 | 15 | 17 1/4 | 5 1/4 | 26 | 15 | 8 | 5/8 | 14 | 1 5/8 | 44 | |
| | | | MM | 1225.6 | 327.2 | 381 | 438.2 | 133.4 | 660.4 | 381 | 203.4 | 15.9 | 355.6 | 41.2 | 1117.6 | |
| 213T | | 901777 | IN | 48 1/4 | 13 5/8 | 15 | 17 1/4 | 5 1/4 | 26 | 15 | 8 | 5/8 | 14 | 1 5/8 | 44 | |
| | | | MM | 1225.6 | 346 | 381 | 438.2 | 133.4 | 660.4 | 381 | 203.4 | 15.9 | 355.6 | 41.2 | 1117.6 | |
| 215T | | 901777 | IN | 48 1/4 | 13 5/8 | 15 | 17 1/4 | 5 1/4 | 26 | 15 | 8 | 5/8 | 14 | 1 5/8 | 44 | |
| | | | MM | 1225.6 | 346 | 381 | 438.2 | 133.4 | 660.4 | 381 | 203.4 | 15.9 | 355.6 | 41.2 | 1117.6 | |
| | | | | M | N | P | Q | R | S | T | W | X | | | | |
| 182T | | 901777 | IN | 6 | 5 1/4 | 7 1/4 | 2 1/4 | 8 3/8 | 5 1/4 | 1 1/4 | 1 1/8 | 1 1/4 | | | | |
| | | | MM | 152.4 | 133.4 | 184.2 | 57.2 | 212.8 | 133.4 | 31.8 | 28.4 | 31.8 | | | | |
| 184T | | 901777 | IN | 6 | 5 1/4 | 7 1/4 | 2 1/4 | 8 3/8 | 5 1/4 | 1 1/4 | 1 1/8 | 1 1/4 | | | | |
| | | | MM | 152.4 | 133.4 | 184.2 | 57.2 | 212.8 | 133.4 | 31.8 | 28.4 | 31.8 | | | | |
| 213T | | 901777 | IN | 6 | 5 1/4 | 7 1/4 | 2 1/4 | 8 3/8 | 5 1/4 | 1 1/4 | 1 1/8 | 1 1/4 | | | | |
| | | | MM | 152.4 | 133.4 | 184.2 | 57.2 | 212.8 | 133.4 | 31.8 | 28.4 | 31.8 | | | | |
| 215T | | 901777 | IN | 6 | 5 1/4 | 7 1/4 | 2 1/4 | 8 3/8 | 5 1/4 | 1 1/4 | 1 1/8 | 1 1/4 | | | | |
| | | | MM | 152.4 | 133.4 | 184.2 | 57.2 | 212.8 | 133.4 | 31.8 | 28.4 | 31.8 | | | | |