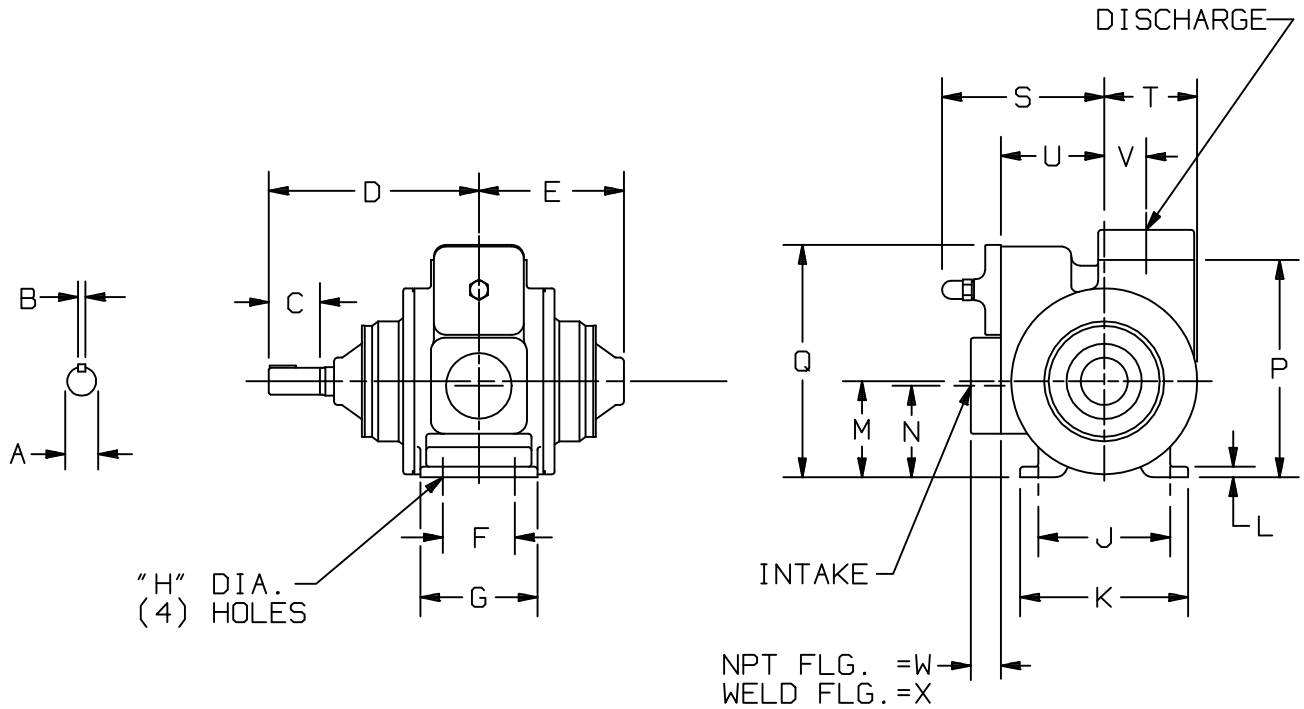


| | | |
|------|------|------------|
| TYPE | SIZE | UNIT STYLE |
| X | 2.5B | PO |

| | |
|--------------------|---------------|
| DIMENSIONS 101-110 | |
| Section | 101 |
| Effective | February 2003 |
| Replaces | October 1995 |
| Page | 1/7 |

RIGHT HAND ROTATION. FOR LEFT HAND ROTATION, SHAFT PROJECTION IS OPPOSITE THAT SHOWN.



| MOTOR | | | UNITS | DIMENSIONS | | | | | | | | | |
|------------|--|--|-------|------------|-------|-------|--------|-------|------|-------------|-------------------|--------|-------|
| FRAME SIZE | | | | A | B | C | D | E | F | G | H | J | K |
| | | | IN | 1 1/8 | 1/4 | 2 1/4 | 8 3/4 | 6 | 3 | 4 7/8 | 7/16 | 5 1/2 | 7 |
| | | | MM | 28,6 | 6,4 | 57,2 | 222,3 | 152,4 | 76,2 | 123,8 | 11,1 | 139,7 | 177,8 |
| | | | | L | M | N | P | Q | R | S | T | U | V |
| | | | IN | 7/16 | 4 | 3 3/4 | 9 1/16 | 9 5/8 | — | 6 13/16 | 3 7/8 | 4 5/16 | 1 3/4 |
| | | | MM | 11,1 | 101,6 | 95,3 | 230,2 | 244,5 | — | 173 | 98,4 | 109,5 | 44,4 |
| | | | | W | X | Y | Z | AA | BB | CC | DD | EE | FF |
| | | | IN | 1 3/16 | 1 1/4 | — | — | — | — | — | — | — | — |
| | | | MM | 30,2 | 31,8 | — | — | — | — | — | — | — | — |
| | | | | GG | HH | | | | | PUMP WEIGHT | WITH STD. FLANGES | | |
| | | | IN | — | — | | | | | LBS | 93 | | |
| | | | MM | — | — | | | | | KG | 42 | | |

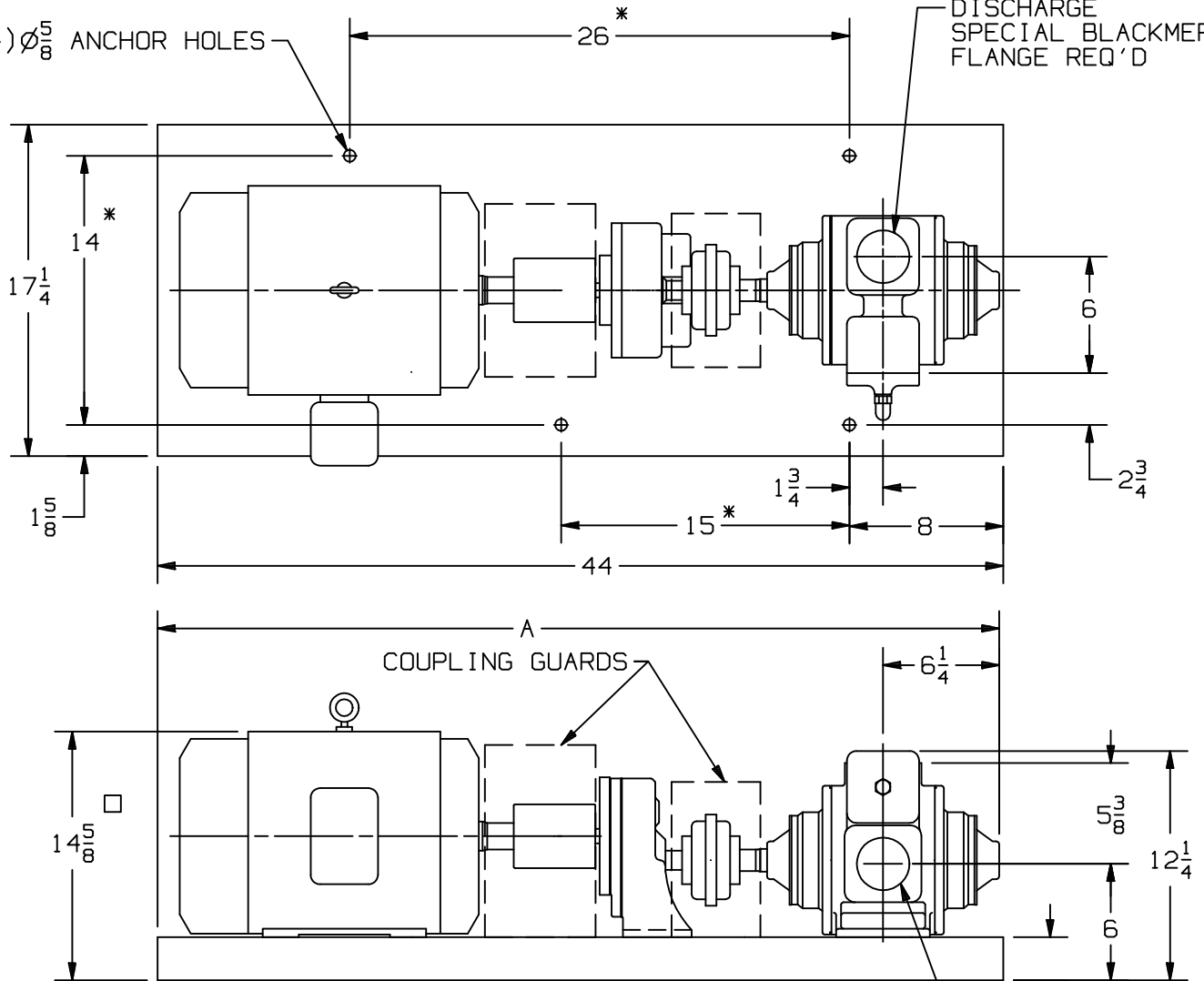
| | | |
|------|------|------------|
| TYPE | SIZE | UNIT STYLE |
| X | 2.5B | HROF |

| | |
|--------------------|---------------|
| DIMENSIONS 101-110 | |
| Section | 101 |
| Effective | February 2003 |
| Replaces | May 2000 |
| Page 2/7 | |

RIGHT HAND ROTATION

(4) $\varnothing \frac{5}{8}$ ANCHOR HOLES

DISCHARGE SPECIAL BLACKMER FLANGE REQ'D



UNIT DIMENSION LESS FLANGES

* TOLERANCE $\pm \frac{1}{8}$

TOLERANCE ON OTHER DIMENSIONS $\pm \frac{1}{4}$

□ DIMENSION LESS EYEBOLT

INTAKE SPECIAL BLACKMER FLANGE REQ'D

FLG HGT: 2 1/2" NPT - 1 3/16
2 1/2" WELD - 1 1/4

| MOTOR | | | BASE NO. | DIMENSIONS | |
|------------|--|--------|----------|------------|--|
| FRAME SIZE | | UNITS | | A | |
| 213T | | 901579 | IN | 44 3/4 | |
| | | | MM | 1136.7 | |
| 215T | | 901579 | IN | 44 3/4 | |
| | | | MM | 1136.7 | |
| | | | | | |
| | | | | | |

DIMENSIONS 101-110

Section 101
 Effective February 2003
 Replaces May 2000
 Page 3/7

TYPE

SIZE

UNIT
STYLE

X

2.5B

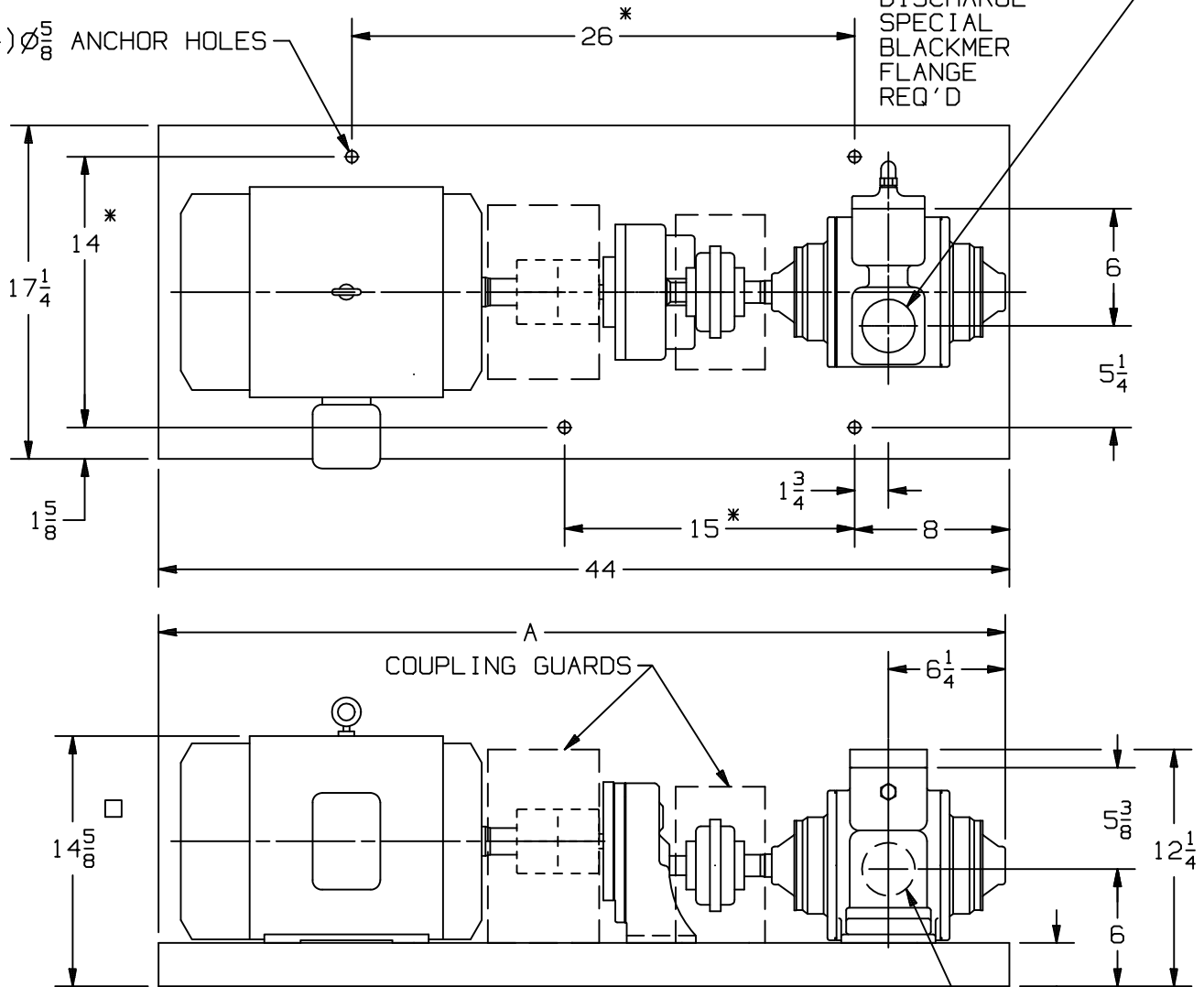
HROF



www.blackmer.com

LEFT HAND ROTATION

(4) $\varnothing \frac{5}{8}$ ANCHOR HOLES



UNIT DIMENSION LESS FLANGES

* TOLERANCE $\pm \frac{1}{8}$

TOLERANCE ON OTHER DIMENSIONS $\pm \frac{1}{4}$

□ DIMENSION LESS EYEBOLT

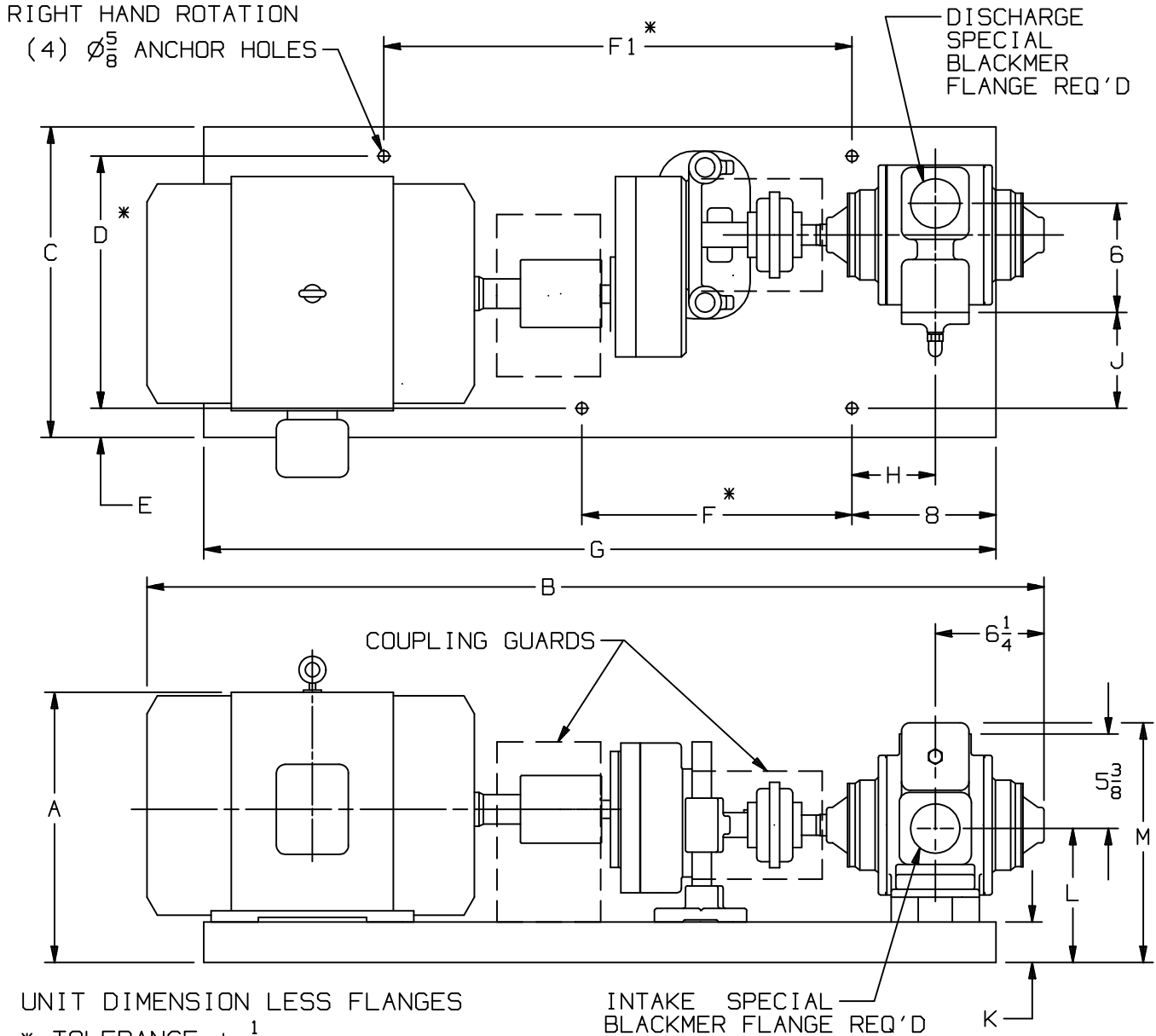
INTAKE SPECIAL BLACKMER FLANGE REQ'D

FLG HGT: 2 1/2" NPT - 1 3/16
 2 1/2" WELD - 1 1/4

| MOTOR | | | BASE NO. | DIMENSIONS | |
|------------|--|-------|----------|------------|--------|
| FRAME SIZE | | UNITS | | A | |
| 213T | | | 901579 | IN | 44 3/4 |
| | | | | MM | 1136.7 |
| 215T | | | 901579 | IN | 44 3/4 |
| | | | | MM | 1136.7 |
| | | | | | |
| | | | | | |

| | | |
|------|------|------------|
| TYPE | SIZE | UNIT STYLE |
| X | 2.5B | HRA |

| | |
|--------------------|---------------|
| DIMENSIONS 101-110 | |
| Section | 101 |
| Effective | February 2003 |
| Replaces | May 2000 |
| Page 4/7 | |



UNIT DIMENSION LESS FLANGES

* TOLERANCE $\pm \frac{1}{8}$

TOLERANCE ON OTHER DIMENSIONS $\pm \frac{1}{4}$

"A" DIMENSION LESS EYEBOLT

INTAKE SPECIAL BLACKMER FLANGE REQ'D

FLG HGT: 2 1/2" NPT - 1 3/16
2 1/2" WELD - 1 1/4

| MOTOR | | | UNITS | DIMENSIONS | | | | | | | | | | | | |
|------------|--|--|--------|------------|--------|--------|--------|-------|----|----|--------|-------|-------|-------|-------|--------|
| FRAME SIZE | | | | A | B | C | D | E | F | F1 | G | H | J | K | L | M |
| 182T | | | 901774 | 11 5/8 | 47 3/8 | 17 1/4 | 14 | 1 5/8 | 15 | 26 | 44 | 4 5/8 | 5 3/8 | 2 1/4 | 7 3/8 | 13 5/8 |
| 184T | | | 901774 | 11 5/8 | 47 3/8 | 17 1/4 | 14 | 1 5/8 | 15 | 26 | 44 | 4 5/8 | 5 3/8 | 2 1/4 | 7 3/8 | 13 5/8 |
| 213T | | | 901774 | 13 3/8 | 47 5/8 | 17 1/4 | 14 | 1 5/8 | 15 | 26 | 44 | 4 5/8 | 5 3/8 | 2 1/4 | 7 3/8 | 13 5/8 |
| 215T | | | 901774 | 13 3/8 | 48 1/4 | 17 1/4 | 14 | 1 5/8 | 15 | 26 | 44 | 4 5/8 | 5 3/8 | 2 1/4 | 7 3/8 | 13 5/8 |
| 254T | | | 901774 | 15 5/8 | 52 1/8 | 17 1/4 | 14 | 1 5/8 | 15 | 26 | 44 | 4 5/8 | 5 3/8 | 2 1/4 | 7 3/8 | 13 5/8 |
| 256T | | | 901774 | 15 5/8 | 53 7/8 | 17 1/4 | 14 | 1 5/8 | 15 | 26 | 44 | 4 5/8 | 5 3/8 | 2 1/4 | 7 3/8 | 13 5/8 |
| 284T | | | 901578 | 18 | 55 3/4 | 20 3/4 | 16 3/8 | 2 | 22 | 33 | 50 1/2 | 1 3/4 | 7 1/8 | 3 | 7 3/4 | 14 |

DIMENSIONS 101-110

Section 101
 Effective February 2003
 Replaces May 2000
 Page 5/7

TYPE

SIZE

UNIT
 STYLE

X

2.5B

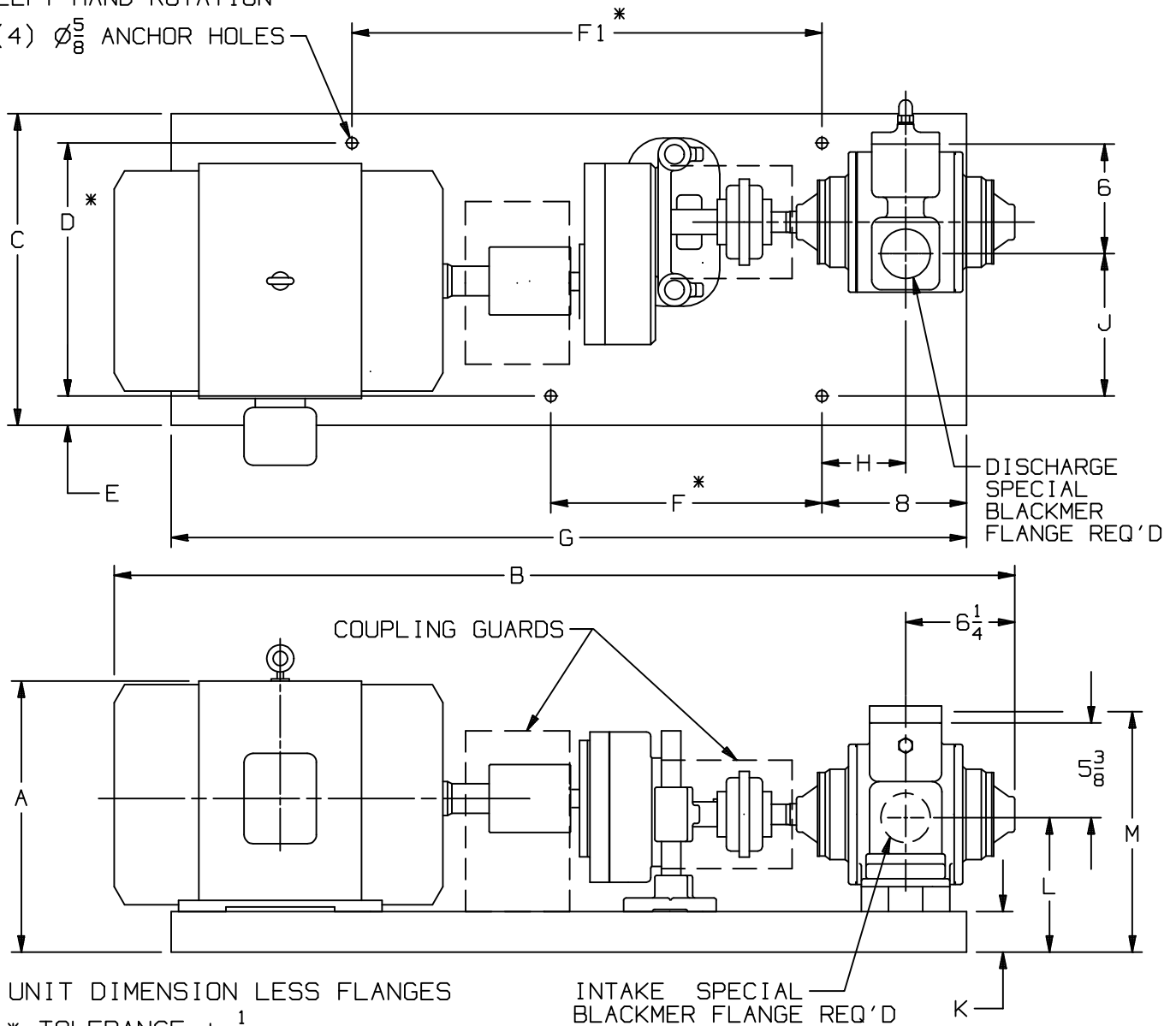
HRA



www.blackmer.com

LEFT HAND ROTATION

(4) $\varnothing \frac{5}{8}$ ANCHOR HOLES



UNIT DIMENSION LESS FLANGES

* TOLERANCE $\pm \frac{1}{8}$

TOLERANCE ON OTHER DIMENSIONS $\pm \frac{1}{4}$

"A" DIMENSION LESS EYEBOLT

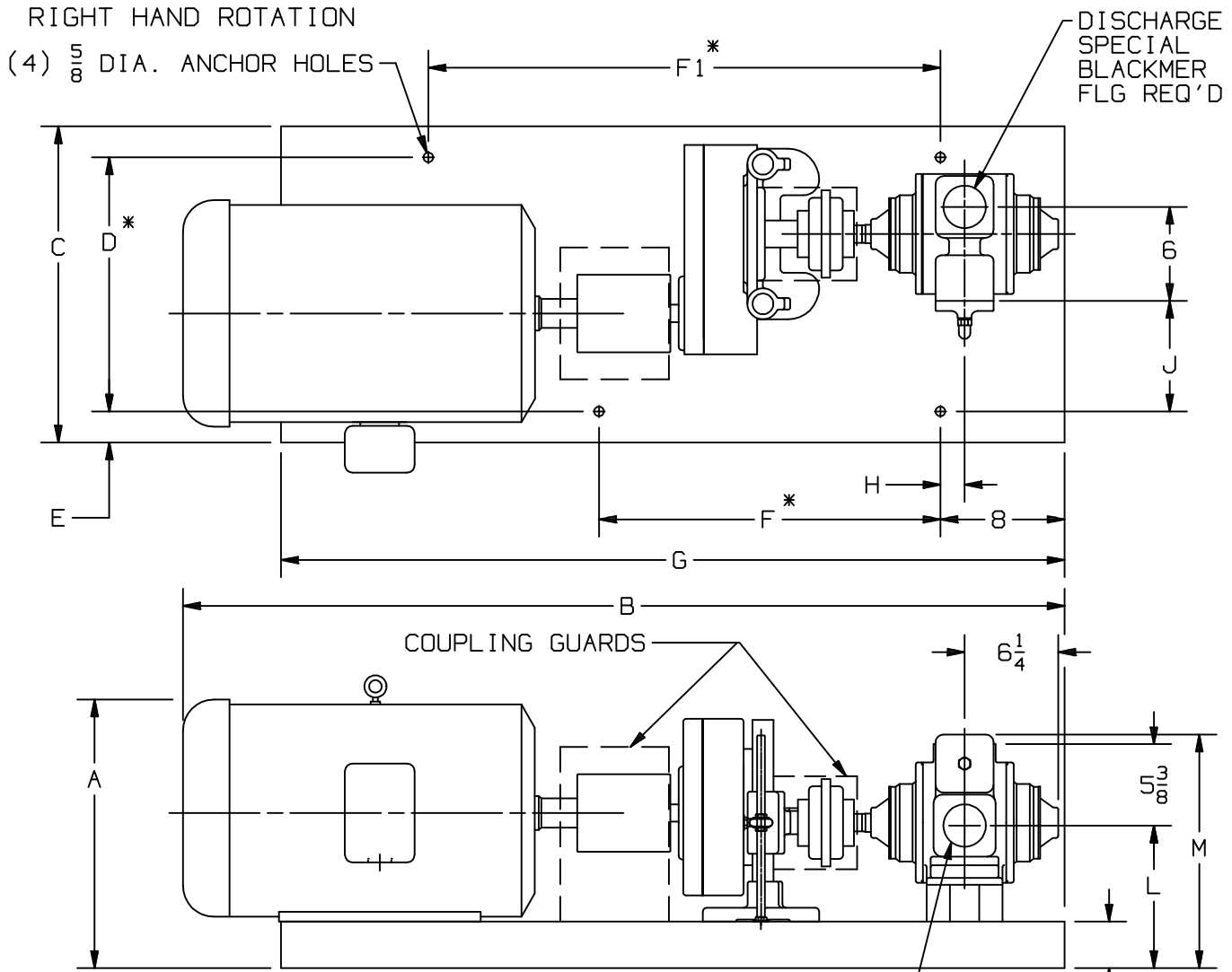
INTAKE SPECIAL BLACKMER FLANGE REQ'D

FLG HGT: 2 1/2" NPT - 1 3/16
 2 1/2" WELD - 1 1/4

| MOTOR | | UNITS | DIMENSIONS | | | | | | | | | | | | |
|------------|--|--------|------------|--------|--------|--------|-------|----|----|--------|-------|-------|-------|-------|--------|
| FRAME SIZE | | | A | B | C | D | E | F | F1 | G | H | J | K | L | M |
| 182T | | 901774 | 11 5/8 | 47 3/8 | 17 1/4 | 14 | 1 5/8 | 15 | 26 | 44 | 4 5/8 | 7 7/8 | 2 1/4 | 7 3/8 | 13 5/8 |
| 184T | | 901774 | 11 5/8 | 47 3/8 | 17 1/4 | 14 | 1 5/8 | 15 | 26 | 44 | 4 5/8 | 7 7/8 | 2 1/4 | 7 3/8 | 13 5/8 |
| 213T | | 901774 | 13 3/8 | 47 5/8 | 17 1/4 | 14 | 1 5/8 | 15 | 26 | 44 | 4 5/8 | 7 7/8 | 2 1/4 | 7 3/8 | 13 5/8 |
| 215T | | 901774 | 13 3/8 | 48 1/4 | 17 1/4 | 14 | 1 5/8 | 15 | 26 | 44 | 4 5/8 | 7 7/8 | 2 1/4 | 7 3/8 | 13 5/8 |
| 254T | | 901774 | 15 5/8 | 52 1/8 | 17 1/4 | 14 | 1 5/8 | 15 | 26 | 44 | 4 5/8 | 7 7/8 | 2 1/4 | 7 3/8 | 13 5/8 |
| 256T | | 901774 | 15 5/8 | 53 7/8 | 17 1/4 | 14 | 1 5/8 | 15 | 26 | 44 | 4 5/8 | 7 7/8 | 2 1/4 | 7 3/8 | 13 5/8 |
| 284T | | 901578 | 18 | 55 3/4 | 20 3/4 | 16 3/8 | 2 | 22 | 33 | 50 1/2 | 1 3/4 | 9 5/8 | 3 | 7 3/4 | 14 |

| | | |
|------|------|------------|
| TYPE | SIZE | UNIT STYLE |
| X | 2.5B | HRB |

| | |
|--------------------|---------------|
| DIMENSIONS 101-110 | |
| Section | 101 |
| Effective | February 2003 |
| Replaces | May 2000 |
| Page 6/7 | |



UNIT DIMENSION LESS FLANGES
* TOLERANCE $\pm \frac{1}{8}$
TOLERANCE ON OTHER DIMENSIONS $\pm \frac{1}{4}$
"A" DIMENSION LESS EYEBOLT

INTAKE SPECIAL BLACKMER FLG REQ'D
K
FLG. HGT: 2 1/2" NPT - 1 3/16
2 1/2" WELD - 1 1/4

| FRAME SIZE | MOTOR | BASE NO. | DIMENSIONS | | | | | | | | | | | | |
|------------|-------|----------|------------|--------|--------|--------|-------|----|----|--------|-------|-------|-------|-------|--------|
| | | | A | B | C | D | E | F | F1 | G | H | J | K | L | M |
| 182T | | 901772 | 12 7/8 | 45 1/4 | 17 1/4 | 14 | 1 5/8 | 15 | 26 | 44 | 1 1/2 | 5 3/8 | 2 1/4 | 8 3/8 | 14 5/8 |
| 184T | | 901772 | 12 7/8 | 46 5/8 | 17 1/4 | 14 | 1 5/8 | 15 | 26 | 44 | 1 1/2 | 5 3/8 | 2 1/4 | 8 3/8 | 14 5/8 |
| 213T | | 901772 | 13 5/8 | 48 5/8 | 17 1/4 | 14 | 1 5/8 | 15 | 26 | 44 | 1 1/2 | 5 3/8 | 2 1/4 | 8 3/8 | 14 5/8 |
| 215T | | 901772 | 13 5/8 | 49 3/8 | 17 1/4 | 14 | 1 5/8 | 15 | 26 | 44 | 1 1/2 | 5 3/8 | 2 1/4 | 8 3/8 | 14 5/8 |
| 254T | | 901773 | 16 3/8 | 53 1/8 | 20 3/8 | 16 3/8 | 2 | 22 | 33 | 50 1/2 | 1 5/8 | 7 1/4 | 3 | 9 1/8 | 15 3/8 |
| 256T | | 901773 | 16 3/8 | 54 7/8 | 20 3/8 | 16 3/8 | 2 | 22 | 33 | 50 1/2 | 1 5/8 | 7 1/4 | 3 | 9 1/8 | 15 3/8 |
| 284T | | 901773 | 18 | 56 7/8 | 20 3/8 | 16 3/8 | 2 | 22 | 33 | 50 1/2 | 1 5/8 | 7 1/4 | 3 | 9 1/8 | 15 3/8 |
| 286T | | 901773 | 18 | 58 3/8 | 20 3/8 | 16 3/8 | 2 | 22 | 33 | 50 1/2 | 1 5/8 | 7 1/4 | 3 | 9 1/8 | 15 3/8 |

DIMENSIONS 101-110

Section 101
 Effective February 2003
 Replaces May 2000
 Page 7/7

TYPE

SIZE

UNIT
 STYLE

X

2.5B

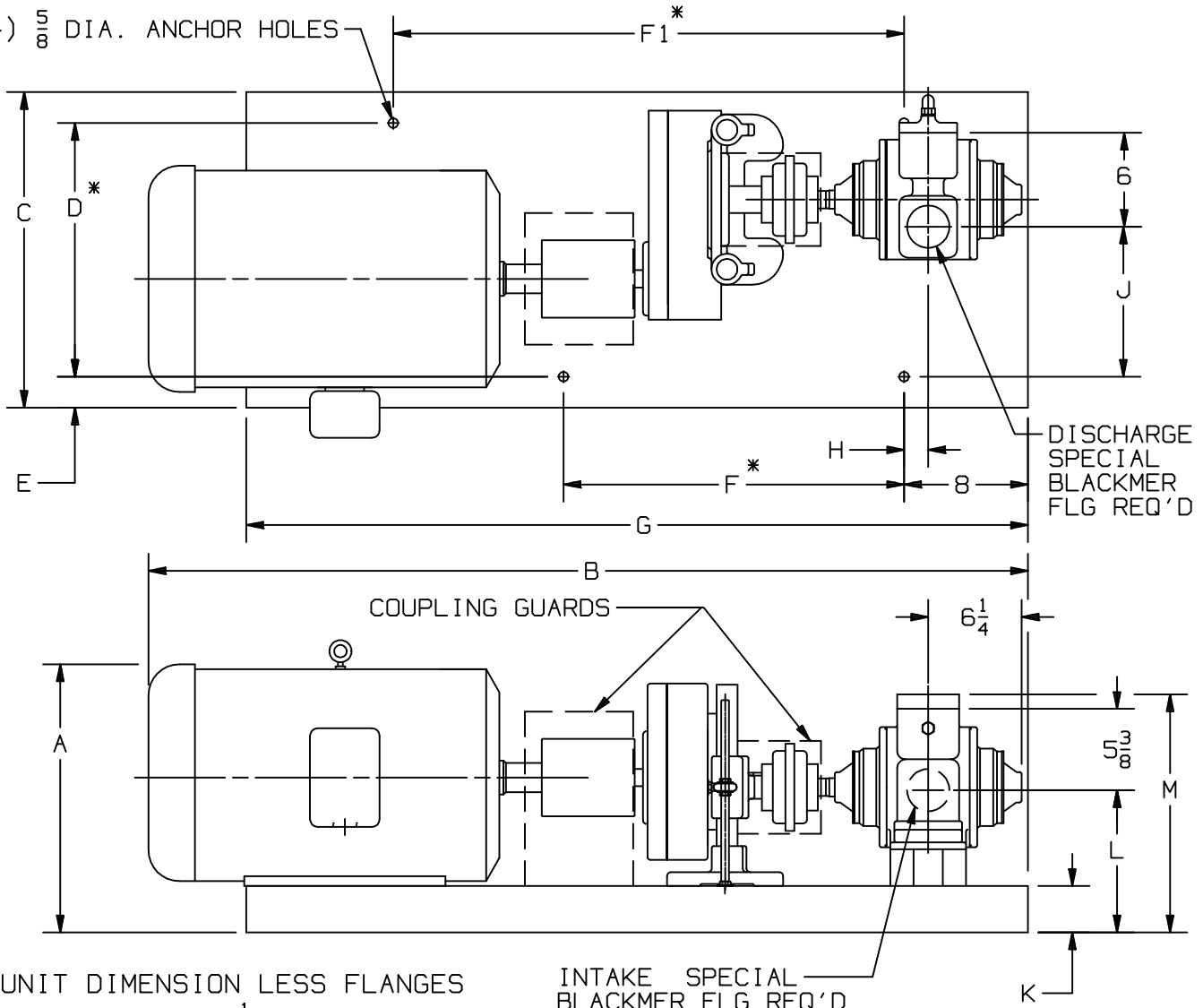
HRB



www.blackmer.com

LEFT HAND ROTATION

(4) 5/8 DIA. ANCHOR HOLES



UNIT DIMENSION LESS FLANGES

* TOLERANCE $\pm \frac{1}{8}$

TOLERANCE ON OTHER DIMENSIONS $\pm \frac{1}{4}$

"A" DIMENSION LESS EYEBOLT

FLG. HGT: 2 1/2" NPT - 1 3/16
 2 1/2" WELD - 1 1/4

| FRAME SIZE | MOTOR | | BASE NO. | DIMENSIONS | | | | | | | | | | | | |
|------------|-------|--|----------|------------|--------|--------|--------|-------|----|----|--------|-------|-------|-------|-------|--------|
| | | | | A | B | C | D | E | F | F1 | G | H | J | K | L | M |
| 182T | | | 901772 | 12 7/8 | 45 1/4 | 17 1/4 | 14 | 1 5/8 | 15 | 26 | 44 | 1 1/2 | 7 7/8 | 2 1/4 | 8 3/8 | 14 5/8 |
| 184T | | | 901772 | 12 7/8 | 46 5/8 | 17 1/4 | 14 | 1 5/8 | 15 | 26 | 44 | 1 1/2 | 7 7/8 | 2 1/4 | 8 3/8 | 14 5/8 |
| 213T | | | 901772 | 13 5/8 | 48 5/8 | 17 1/4 | 14 | 1 5/8 | 15 | 26 | 44 | 1 1/2 | 7 7/8 | 2 1/4 | 8 3/8 | 14 5/8 |
| 215T | | | 901772 | 13 5/8 | 49 3/8 | 17 1/4 | 14 | 1 5/8 | 15 | 26 | 44 | 1 1/2 | 7 7/8 | 2 1/4 | 8 3/8 | 14 5/8 |
| 254T | | | 901773 | 16 3/8 | 53 1/8 | 20 3/8 | 16 3/8 | 2 | 22 | 33 | 50 1/2 | 1 5/8 | 9 3/4 | 3 | 9 1/8 | 15 3/8 |
| 256T | | | 901773 | 16 3/8 | 54 7/8 | 20 3/8 | 16 3/8 | 2 | 22 | 33 | 50 1/2 | 1 5/8 | 9 3/4 | 3 | 9 1/8 | 15 3/8 |
| 284T | | | 901773 | 18 | 56 7/8 | 20 3/8 | 16 3/8 | 2 | 22 | 33 | 50 1/2 | 1 5/8 | 9 3/4 | 3 | 9 1/8 | 15 3/8 |
| 286T | | | 901773 | 18 | 58 3/8 | 20 3/8 | 16 3/8 | 2 | 22 | 33 | 50 1/2 | 1 5/8 | 9 3/4 | 3 | 9 1/8 | 15 3/8 |