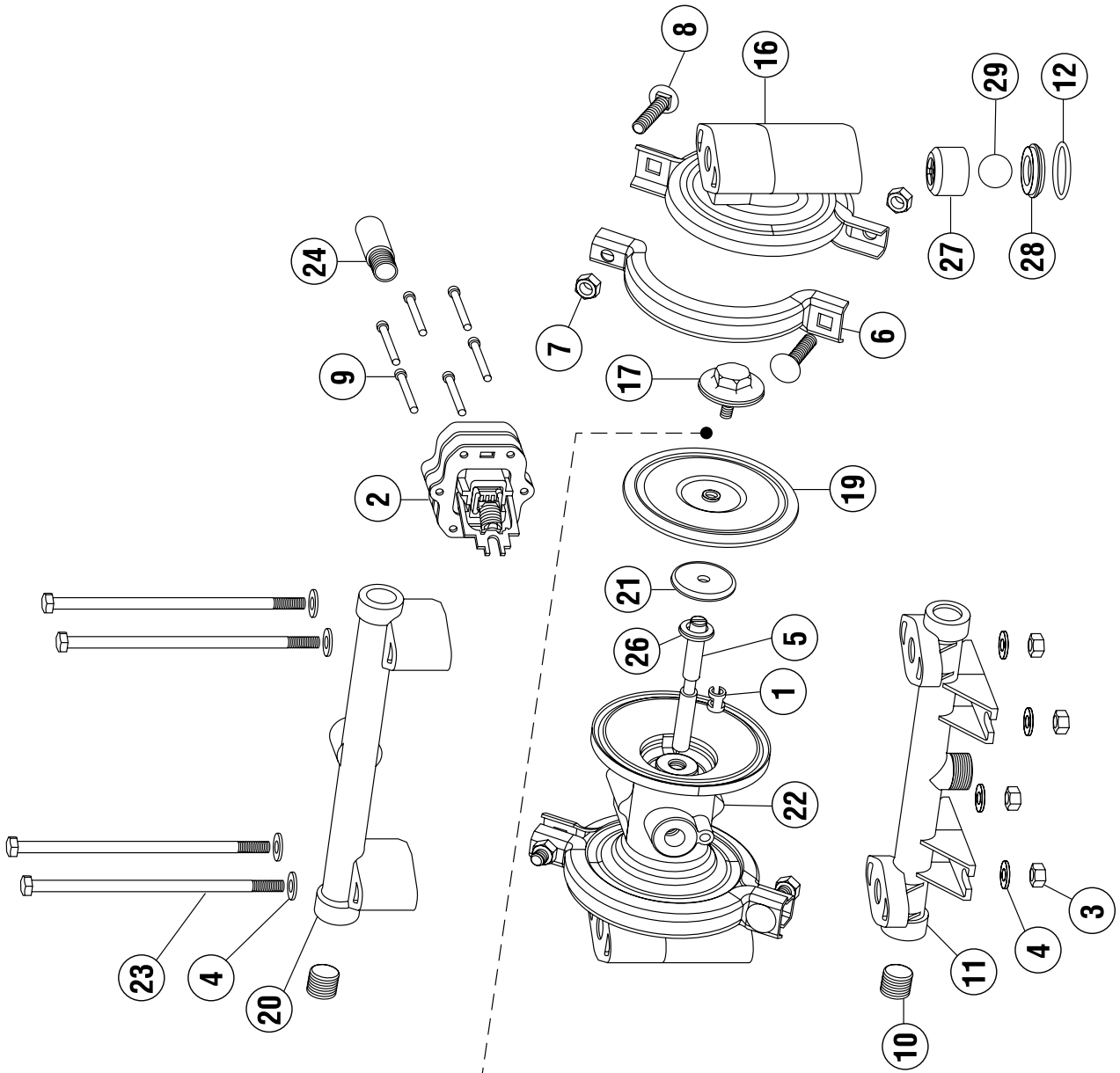


EXPLODED VIEW & PARTS LIST

C038-SQ*-****-*** CLAMPED PLASTIC



Diaphragm configuration for PTFE pumps.

PTFE Diaphragm requires O-ring.



PARTS LIST - CLAMPED PLASTIC

C038-SQ*_****_***

ITEM	DESCRIPTION	QTY	PUMP MODEL	PART NO.	MATERIAL
1	ROD GUIDE	1	ALL MODELS	12807-31	Acetal
2	AIR VALVE ASSEMBLY	1	ALL MODELS	40380-54	Various
3	HEX NUT (1/4" - 20)	4	ALL MODELS (NON-PTFE COATED)	12600-26	Stainless Steel
4	FLAT WASHER	8	ALL MODELS (NON-PTFE COATED)	12300-26	Stainless Steel
5	DIAPHRAGM ROD	1	ALL MODELS	10316-26	Stainless Steel
6	CLAMP (Complete with fasteners)	2	ALL MODELS (NON-PTFE COATED)	12913-26	Stainless Steel
7	HEX HUT (5/16" - 18)	4	ALL MODELS (NON-PTFE COATED)	12601-26	Stainless Steel
8	CARRIAGE BOLT (5/16" x 1-1/2")	4	ALL MODELS (NON-PTFE COATED)	12509-26	Stainless Steel
9	SCREW (#8 x 1-3/4")	6	ALL MODELS (NON-PTFE COATED)	12548-26	Stainless Steel
10	PIPE PLUG, 3/8" NPT	2	C038-SPP-****_*** C038-SPY-****_*** C038-SPK-****_***	12206-40 12206-42 12206-56	Polypropylene Nylon PVDF
11	SUCTION MANIFOLD	1	C038-SPP-****_*** C038-SPY-****_*** C038-SPK-****_***	10570-40 10570-46 10570-56	Polypropylene Conductive Nylon PVDF
12	O-RING, VALVE SEAT	4	C038-SP*_****N-*** C038-SP*_****E-*** C038-SP*_****T-*** C038-SP*_****V-***	11938-11 11938-15 11938-17 11938-82	Nitrile EPDM PTFE Viton®/FKM
16	OUTER CHAMBER	2	C038-SPP-****_*** C038-SPY-****_*** C038-SPK-****_***	10701-40 10701-46 10701-56	Polypropylene Conductive Nylon PVDF
17	OUTER DIAPHRAGM PLATE	2	C038-SPP-****_*** C038-SPY-****_*** C038-SPK-****_***	11201-40 11201-46 11201-56	Polypropylene Conductive Nylon PVDF
18	DIAPHRAGM (PTFE ONLY)	2	C038-SP*-T***_***	11401-59	PTFE
19	DIAPHRAGM	2	C038-SP*-G***_*** C038-SP*-S***_***	10601-19 10601-23	Geolast® Santoprene®
20	DISCHARGE MANIFOLD	1	C038-SPP-****_*** C038-SPY-****_*** C038-SPK-****_***	10571-AF-40 10571-AF-46 10571-AF-56	Polypropylene Conductive Nylon PVDF
21	INNER DIAPHRAGM PLATE	2	ALL MODELS	11101-25	Plated Steel
22	INTERMEDIATE	1	ALL MODELS	11503-60	Polypropylene
23	CAP SCREW	4	ALL MODELS (NON-PTFE COATED)	12515-26	Stainless Steel
24	MUFFLER	1	ALL MODELS	13008-00	Polypropylene
25	O-RING (Diaphragm, PTFE ONLY)	2	C038-SP*-T***_***	11942-11	Nitrile
26	LIP SEAL	2	ALL MODELS	12005-76	Nitrile
27	BALL CAGE	4	C038-SPP-****_*** C038-SPY-****_*** C038-SPK-****_***	10914-40 10914-46 10914-56	Polypropylene Conductive Nylon PVDF
28	VALVE SEAT	4	C038-SP*_**3*_*** C038-SP*_**P*_*** C038-SP*_**K*_***	10913-26 10913-40 10913-56	Stainless Steel Polypropylene PVDF
29	BALL	4	C038-SP*_**V**_*** C038-SP*_**G**_*** C038-SP*_**S**_*** C038-SP*_**T**_***	11000-13 11000-19 11000-23 11000-45	Viton®/FKM Geolast® Santoprene® PTFE

* Any Character



PARTS LIST - CLAMPED PLASTIC

C038-SQ*-****-***

ASSEMBLY PART NUMBERS	PUMP MODEL	PART NO.	MATERIAL
WET END ASSEMBLY 19, 29, 28, 12	ALL MODELS	CWE-SQ*-****-***	VARIOUS